



VERSION 2021

Description

The pole-top station luminaire can be specified as an arm mounted or top mounted. Lanterns are aluminium. Polycarbonate / Acrylic optical diffuser to the housing of lamp, avoiding dust; insects entering into lamp chamber and moisture contamination.

Construction

Body: Aluminium.

Decorative, mounting arm, Band & Housing: Steel / aluminium alloy.

Finish: Black (BK) as standard color' other colors such as (DB)(RAL7013), drak grey(GY)(RAL7016), light grey(LG)(RAL7042), drak green(DN)(RAL6005) are available.



Standard

Designed and manufactured in accordance with
- IEC/EN60598-1,
- IEC/EN60598-2-1.

Ordering Information (General LED Model)

Model No.:	Using Lamps	Color Temp. (Optional)	Dimensions(mm)
			L x W x H
PA-10W-LED	10W LED	2700~6500K	See diagram
PA-15W-LED	15W LED	2700~6500K	See diagram
PA-20W-LED	20W LED	2700~6500K	See diagram
PA-25W-LED	25W LED	2700~6500K	See diagram
PA-30W-LED	30W LED	2700~6500K	See diagram
PA-35W-LED	35W LED	2700~6500K	See diagram
PA-40W-LED	40W LED	2700~6500K	See diagram
PA-45W-LED	45W LED	2700~6500K	See diagram
PA-50W-LED	50W LED	2700~6500K	See diagram
PA-55W-LED	55W LED	2700~6500K	See diagram
PA-60W-LED	60W LED	2700~6500K	See diagram

REMARK; ALL DATA RATING MENTIONED $\pm 10\%$

NOTE:

Luminous Efficacy: 80 lm/W

Power Factor: ≥ 90

CRI: ≥ 80

Life: Over 50,000hours

-the lumen output deliver over 50% of its initial lumen output operating 50,000 hours

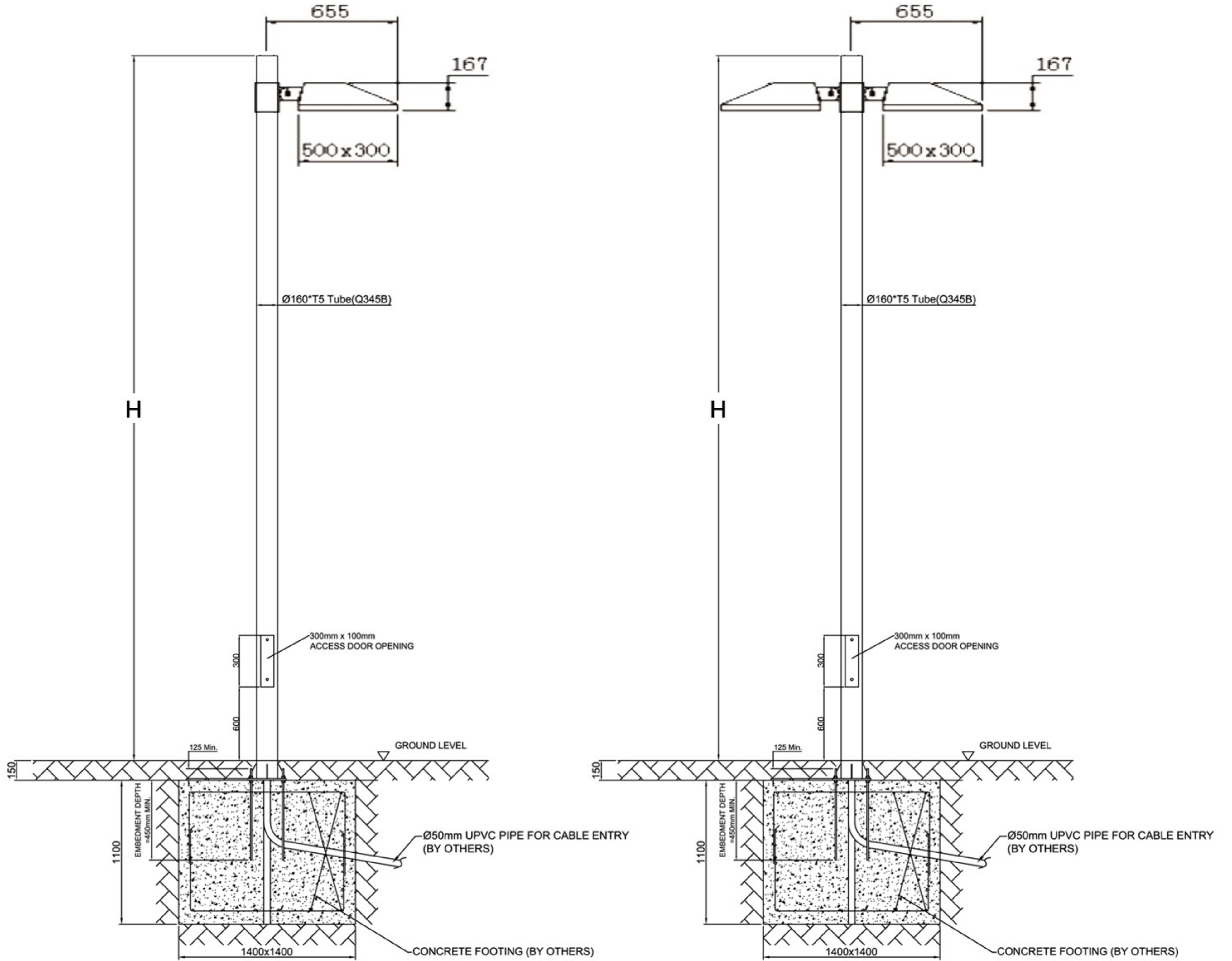
-the lumen output deliver over 70% of its initial lumen output operating 35,000 hours

Remark: specifications change without prior notice.



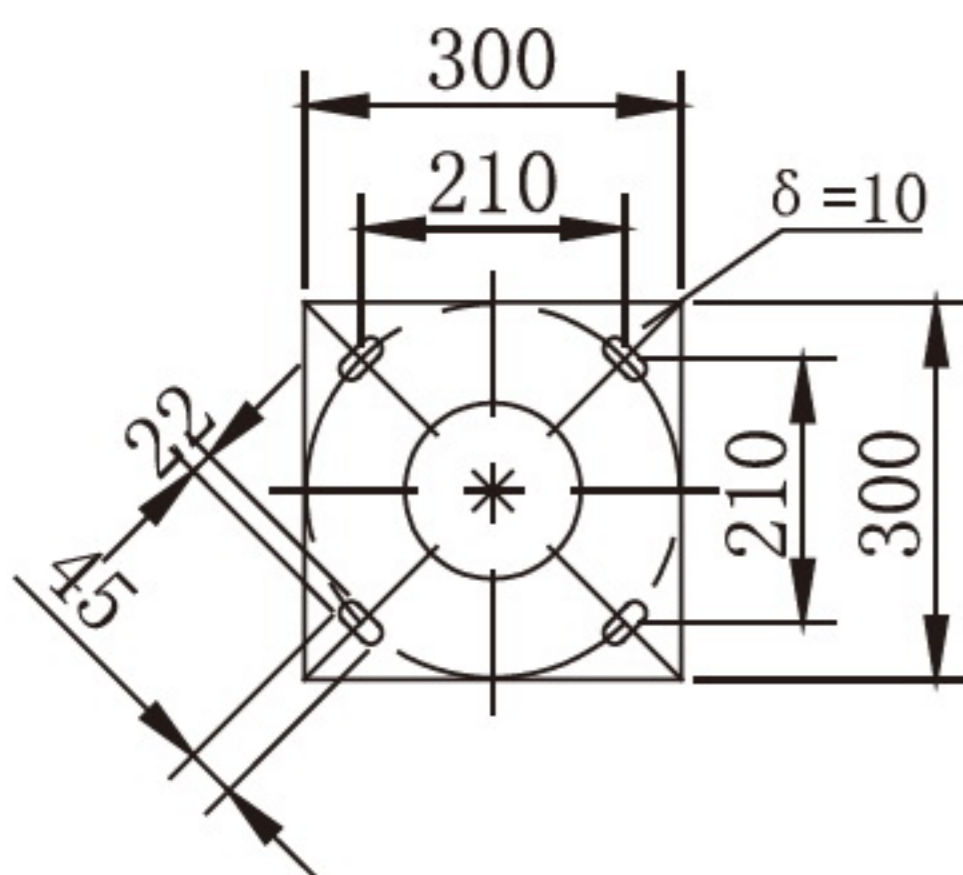


Typical Dimension & Installation(mm)



H = 3500 / 4000 / 4500 / 5000 (Optional)

Typical Foundation(mm)



Remark: specifications change without prior notice.



VERSION 2021

Description

The pole-top station luminaire can be specified as an arm mounted or top mounted. Lanterns are aluminium. Polycarbonate / Acrylic optical diffuser to the housing of lamp, avoiding dust; insects entering into lamp chamber and moisture contamination.

Construction

Body: Aluminium.

Decorative, mounting arm, Band & Housing: Steel / aluminium alloy.

Finish: Black (BK) as standard color' other colors such as (DB)(RAL7013), drak grey(GY)(RAL7016), light grey(LG)(RAL7042), drak green(DN)(RAL6005) are available.



Standard

Designed and manufactured in accordance with
- IEC/EN60598-1,
- IEC/EN60598-2-1.

Ordering Information (General LED Model)

Model No.:	Using Lamps	Color Temp. (Optional)	Dimensions(mm)
			L x W x H
PB-10W-LED	10W LED	2700~6500K	See diagram
PB-15W-LED	15W LED	2700~6500K	See diagram
PB-20W-LED	20W LED	2700~6500K	See diagram
PB-25W-LED	25W LED	2700~6500K	See diagram
PB-30W-LED	30W LED	2700~6500K	See diagram
PB-35W-LED	35W LED	2700~6500K	See diagram
PB-40W-LED	40W LED	2700~6500K	See diagram
PB-45W-LED	45W LED	2700~6500K	See diagram
PB-50W-LED	50W LED	2700~6500K	See diagram
PB-55W-LED	55W LED	2700~6500K	See diagram
PB-60W-LED	60W LED	2700~6500K	See diagram

REMARK; ALL DATA RATING MENTIONED $\pm 10\%$

NOTE:

Luminous Efficacy: 80 lm/W

Power Factor: ≥ 90

CRI: ≥ 80

Life: Over 50,000hours

-the lumen output deliver over 50% of its initial lumen output operating 50,000 hours

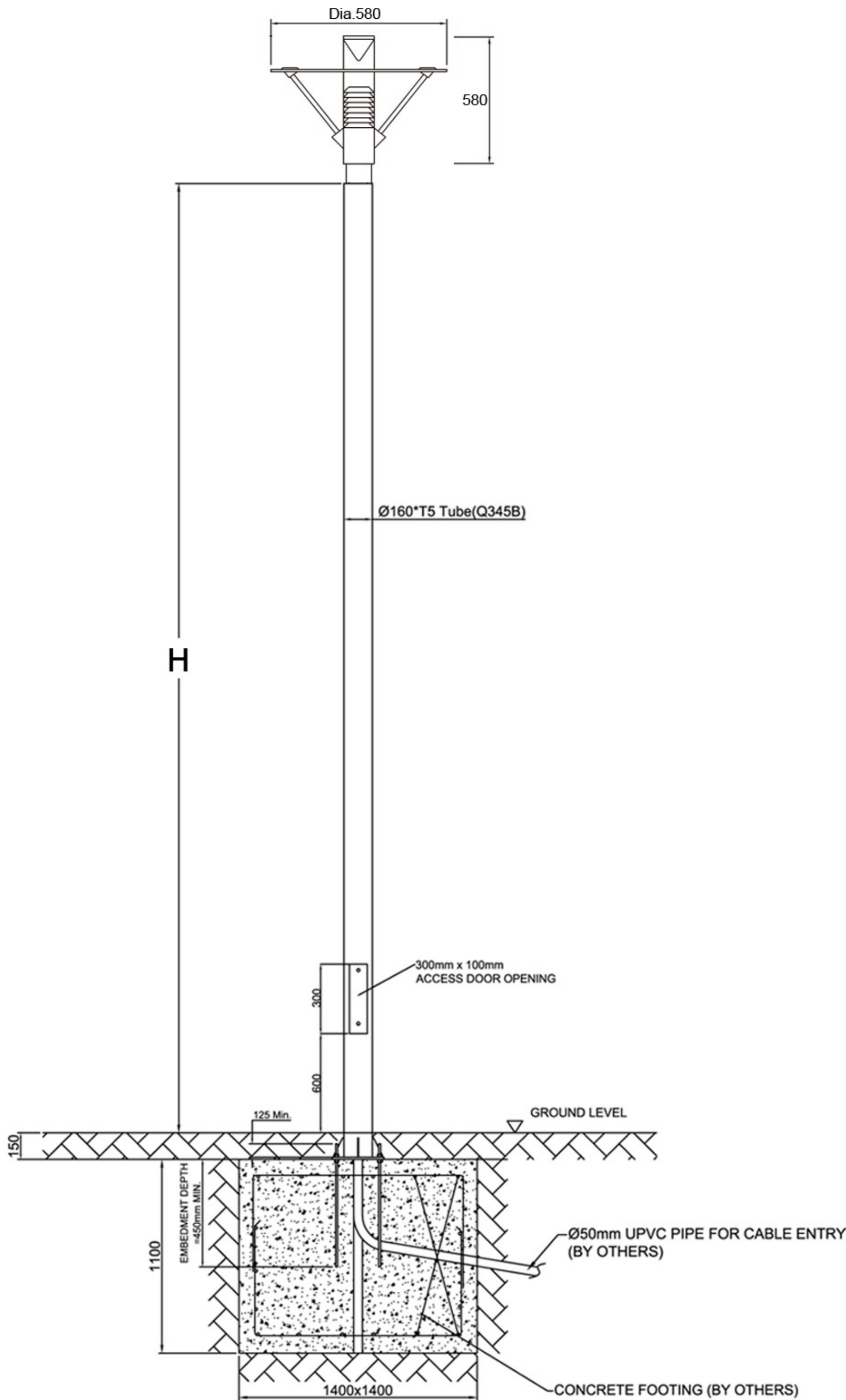
-the lumen output deliver over 70% of its initial lumen output operating 35,000 hours

Remark: specifications change without prior notice.

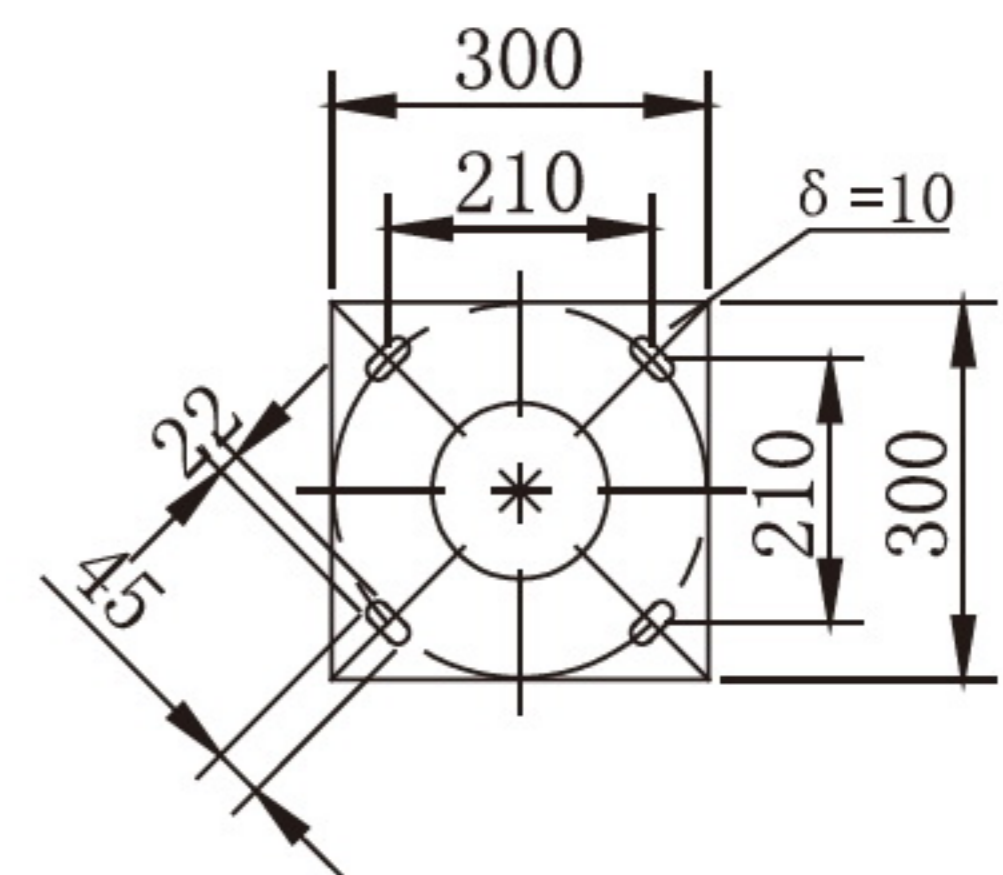




Typical Dimension & Installation(mm)



Typical Foundation(mm)



H = 3500 / 4000 / 4500 / 5000 (Optional)

Remark: specifications change without prior notice.



VERSION 2021

Description

The pole-top station luminaire can be specified as an arm mounted or top mounted. Lanterns are aluminium. Polycarbonate / Acrylic optical diffuser to the housing of lamp, avoiding dust; insects entering into lamp chamber and moisture contamination.

Construction

Body: Aluminium.
Decorative, mounting arm, Band & Housing: Steel / aluminium alloy.
Finish: Black (BK) as standard color' other colors such as (DB)(RAL7013), drak grey(GY)(RAL7016), light grey(LG)(RAL7042), drak green(DN)(RAL6005) are available.



Standard

Designed and manufactured in accordance with
 - IEC/EN60598-1,
 - IEC/EN60598-2-1.

Ordering Information (General LED Model)

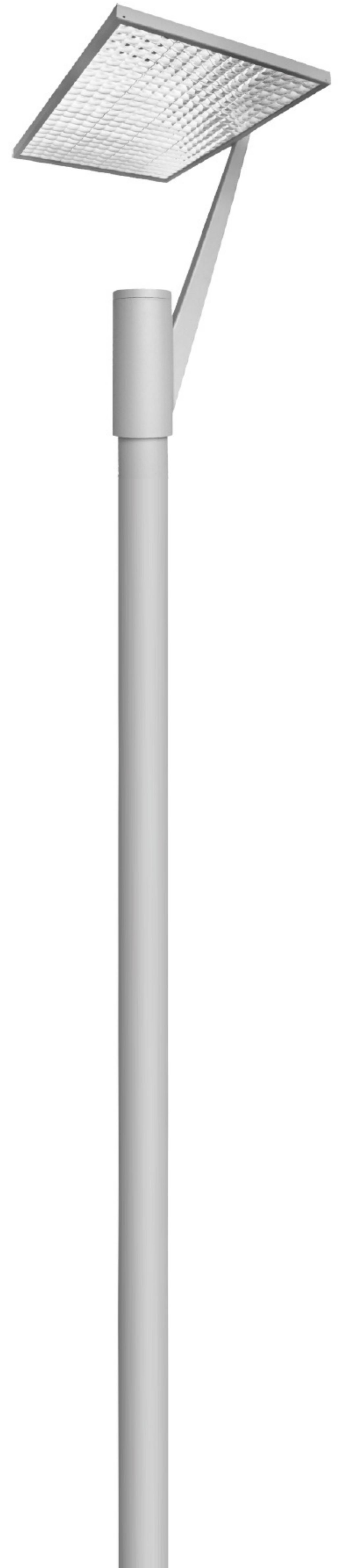
Model No.:	Using Lamps	Color Temp. (Optional)	Dimensions(mm)
			L x W x H
PC-10W-LED	10W LED	2700~6500K	See diagram
PC-15W-LED	15W LED	2700~6500K	See diagram
PC-20W-LED	20W LED	2700~6500K	See diagram
PC-25W-LED	25W LED	2700~6500K	See diagram
PC-30W-LED	30W LED	2700~6500K	See diagram
PC-35W-LED	35W LED	2700~6500K	See diagram
PC-40W-LED	40W LED	2700~6500K	See diagram
PC-45W-LED	45W LED	2700~6500K	See diagram
PC-50W-LED	50W LED	2700~6500K	See diagram
PC-55W-LED	55W LED	2700~6500K	See diagram
PC-60W-LED	60W LED	2700~6500K	See diagram

REMARK; ALL DATA RATING MENTIONED ±10%

NOTE:

Luminous Efficacy: 80 lm/W
 Power Factor: ≥90
 CRI: ≥80
 Life: Over 50,000hours
 -the lumen output deliver over 50% of its initial lumen output operating 50,000 hours
 -the lumen output deliver over 70% of its initial lumen output operating 35,000 hours

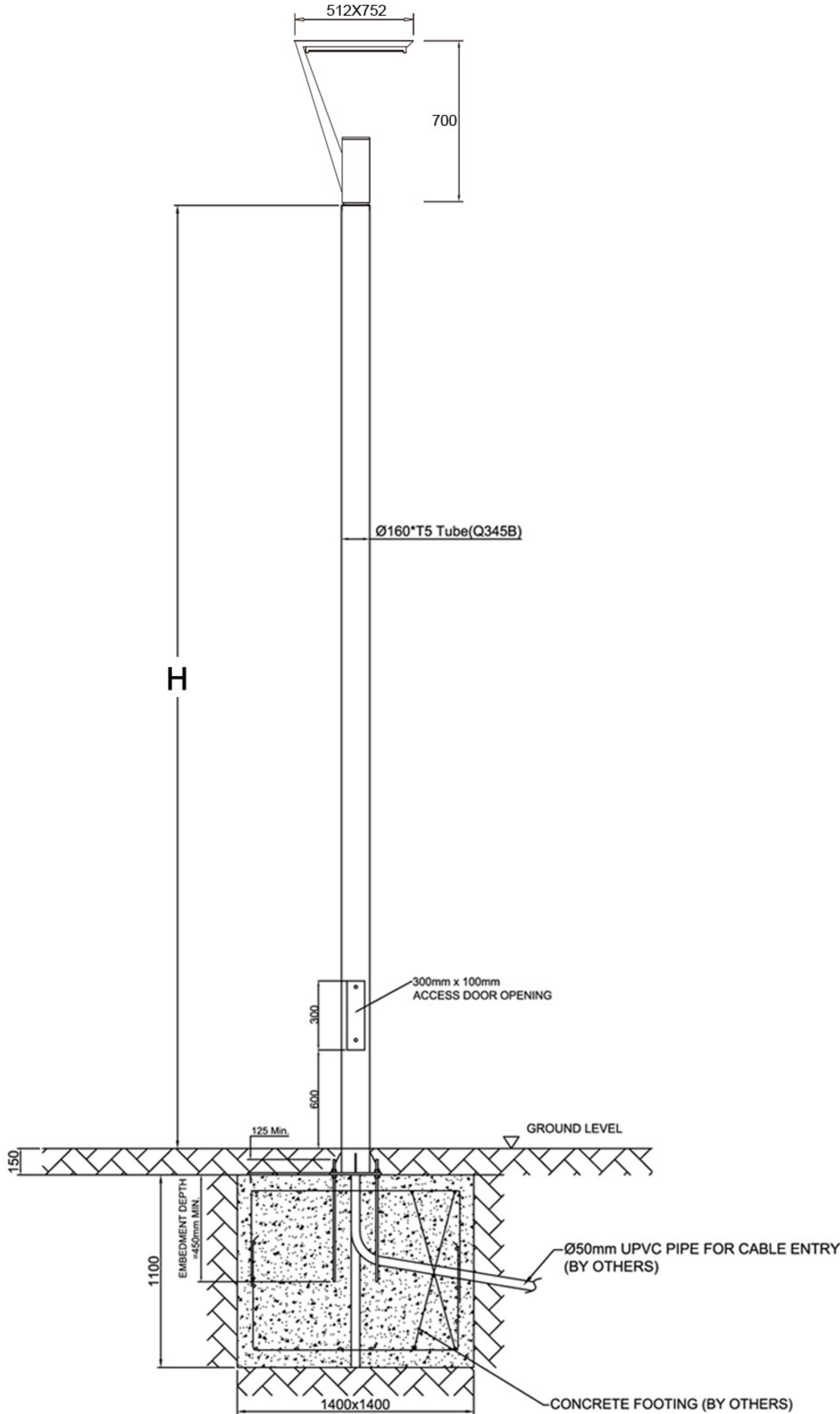
Remark: specifications change without prior notice.



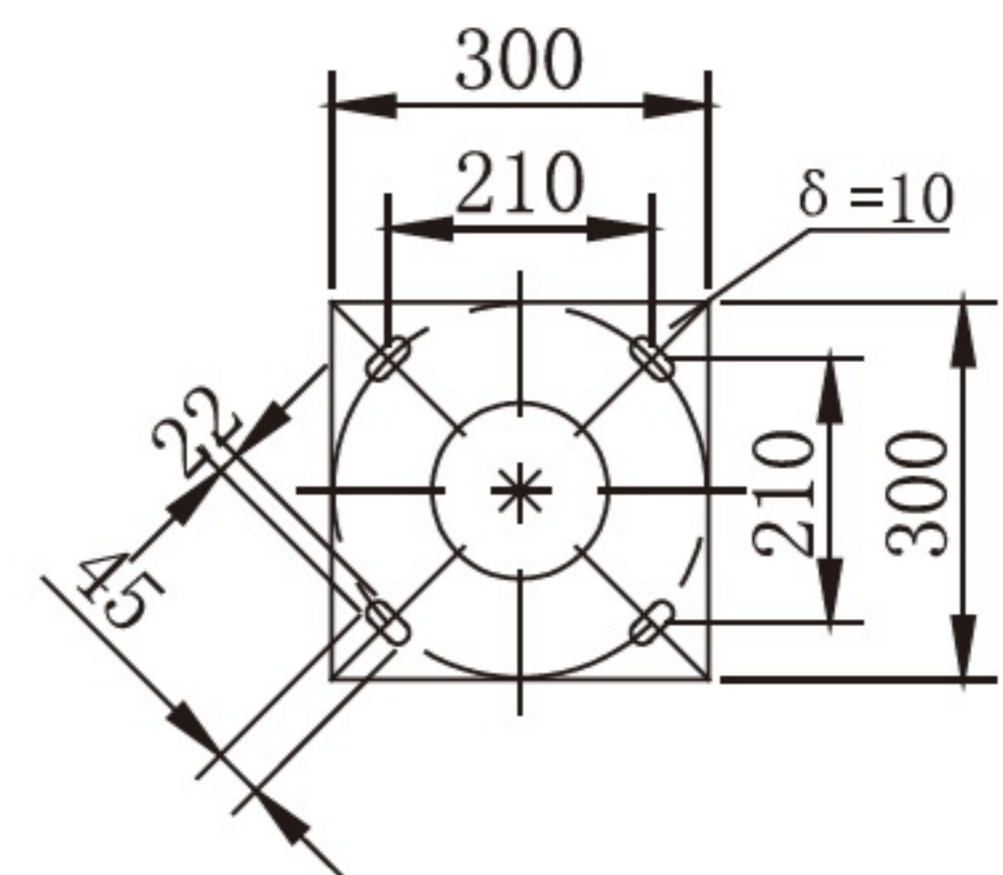


VERSION 2021

Typical Dimension & Installation(mm)



Typical Foundation(mm)



H = 3500 / 4000 / 4500 / 5000 (Optional)

Remark: specifications change without prior notice.



VERSION 2021

Description

The pole-top station luminaire can be specified as an arm mounted or top mounted. Lanterns are aluminium. Polycarbonate / Acrylic optical diffuser to the housing of lamp, avoiding dust; insects entering into lamp chamber and moisture contamination.

Construction

Body: Aluminium.

Decorative, mounting arm, Band & Housing: Steel / aluminium alloy.

Finish: Black (BK) as standard color' other colors such as (DB)(RAL7013), drak grey(GY)(RAL7016), light grey(LG)(RAL7042), drak green(DN)(RAL6005) are available.



Standard

Designed and manufactured in accordance with
- IEC/EN60598-1,
- IEC/EN60598-2-1.

Ordering Information (General LED Model)

Model No.:	Using Lamps	Color Temp. (Optional)	Dimensions(mm)
			L x W x H
PD-10W-LED	10W LED	2700~6500K	See diagram
PD-15W-LED	15W LED	2700~6500K	See diagram
PD-20W-LED	20W LED	2700~6500K	See diagram
PD-25W-LED	25W LED	2700~6500K	See diagram
PD-30W-LED	30W LED	2700~6500K	See diagram
PD-35W-LED	35W LED	2700~6500K	See diagram
PD-40W-LED	40W LED	2700~6500K	See diagram
PD-45W-LED	45W LED	2700~6500K	See diagram
PD-50W-LED	50W LED	2700~6500K	See diagram
PD-55W-LED	55W LED	2700~6500K	See diagram
PD-60W-LED	60W LED	2700~6500K	See diagram

REMARK; ALL DATA RATING MENTIONED $\pm 10\%$

NOTE:

Luminous Efficacy: 80 lm/W

Power Factor: ≥ 90

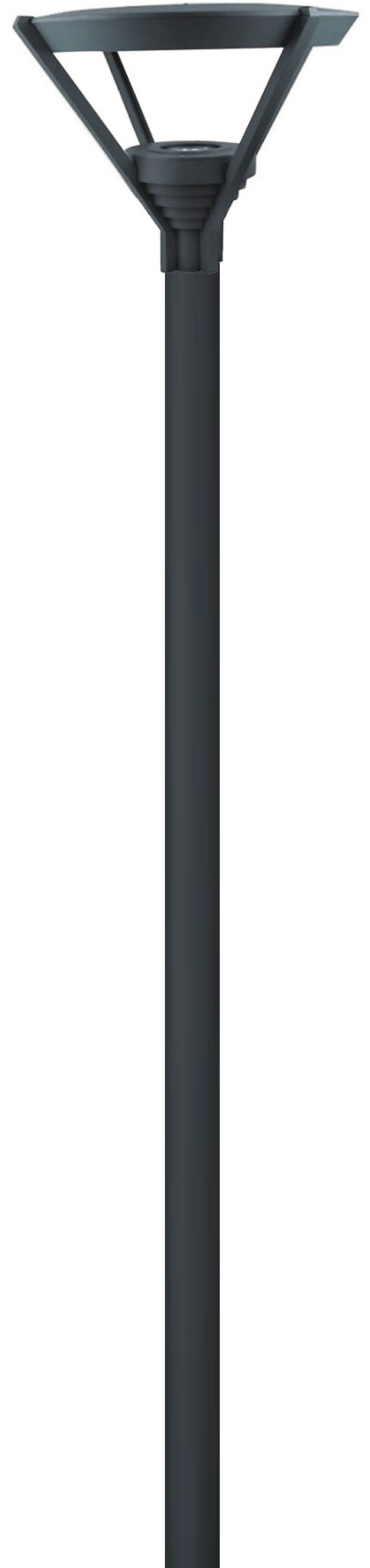
CRI: ≥ 80

Life: Over 50,000hours

-the lumen output deliver over 50% of its initial lumen output operating 50,000 hours

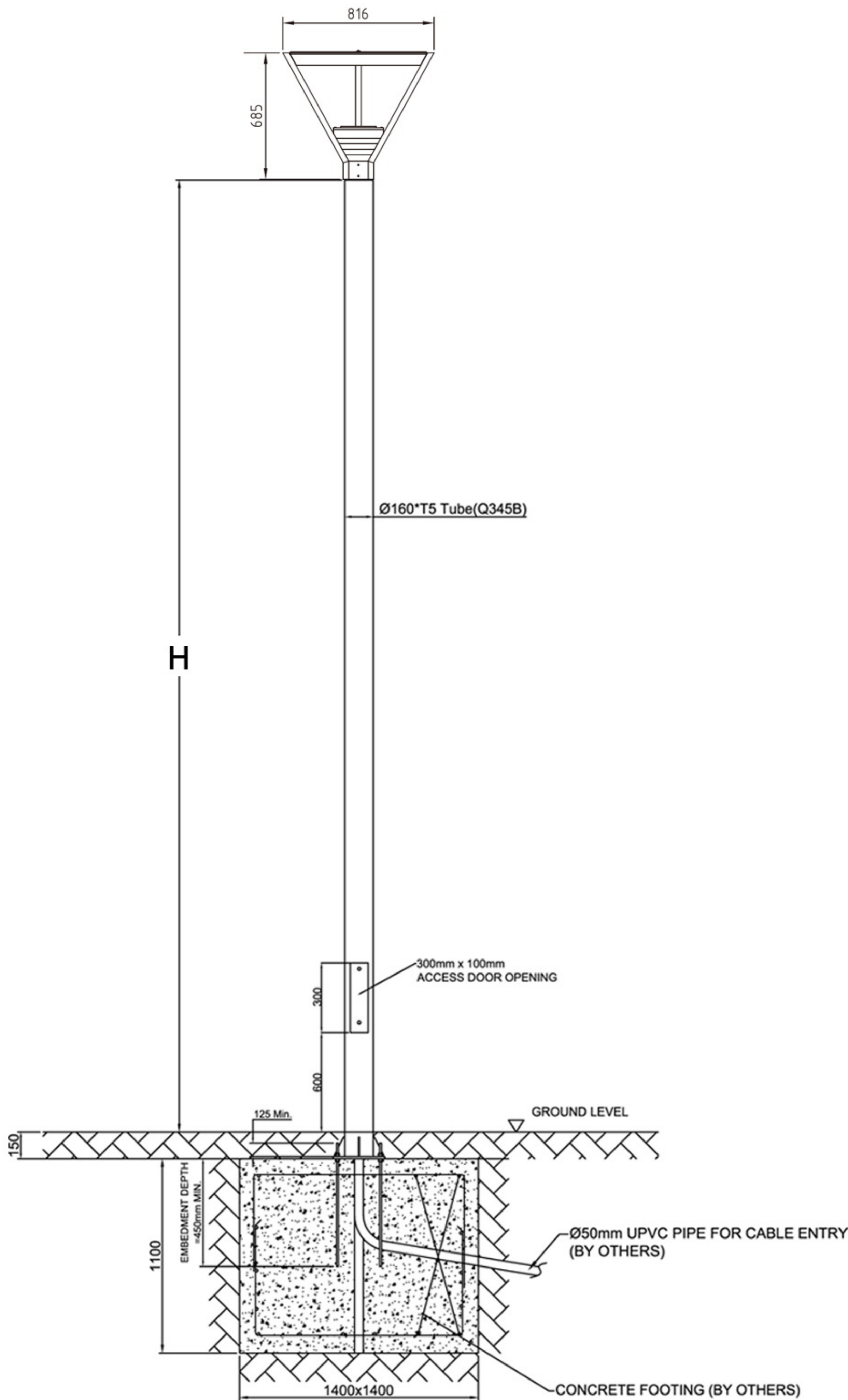
-the lumen output deliver over 70% of its initial lumen output operating 35,000 hours

Remark: specifications change without prior notice.

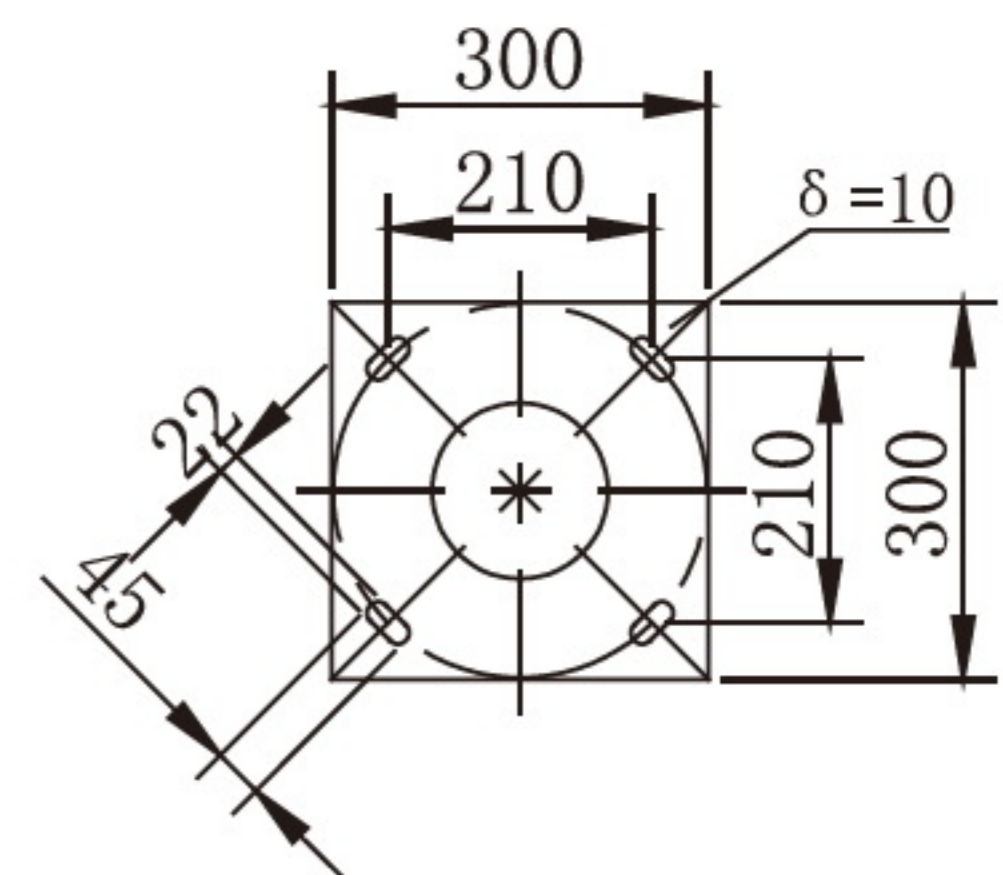




Typical Dimension & Installation(mm)



Typical Foundation(mm)



H = 3500 / 4000 / 4500 / 5000 (Optional)

Remark: specifications change without prior notice.



VERSION 2021

Description

The pole-top station luminaire can be specified as an arm mounted or top mounted. Lanterns are aluminium. Polycarbonate / Acrylic optical diffuser to the housing of lamp, avoiding dust; insects entering into lamp chamber and moisture contamination.

Construction

Body: Aluminium.
Decorative, mounting arm, Band & Housing: Steel / aluminium alloy.
Finish: Black (BK) as standard color' other colors such as (DB)(RAL7013), drak grey(GY)(RAL7016), light grey(LG)(RAL7042), drak green(DN)(RAL6005) are available.



Standard

Designed and manufactured in accordance with
- IEC/EN60598-1,
- IEC/EN60598-2-1.

Ordering Information (General LED Model)

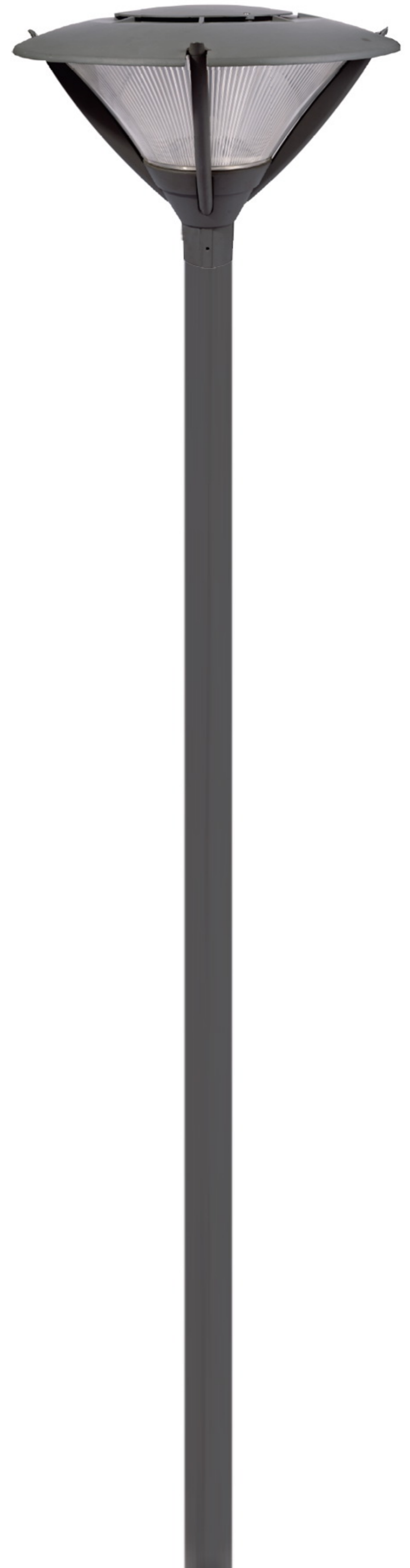
Model No.:	Using Lamps	Color Temp. (Optional)	Dimensions(mm) L x W x H
PE-10W-LED	10W LED	2700~6500K	See diagram
PE-15W-LED	15W LED	2700~6500K	See diagram
PE-20W-LED	20W LED	2700~6500K	See diagram
PE-25W-LED	25W LED	2700~6500K	See diagram
PE-30W-LED	30W LED	2700~6500K	See diagram
PE-35W-LED	35W LED	2700~6500K	See diagram
PE-40W-LED	40W LED	2700~6500K	See diagram
PE-45W-LED	45W LED	2700~6500K	See diagram
PE-50W-LED	50W LED	2700~6500K	See diagram
PE-55W-LED	55W LED	2700~6500K	See diagram
PE-60W-LED	60W LED	2700~6500K	See diagram

REMARK; ALL DATA RATING MENTIONED ±10%

NOTE:

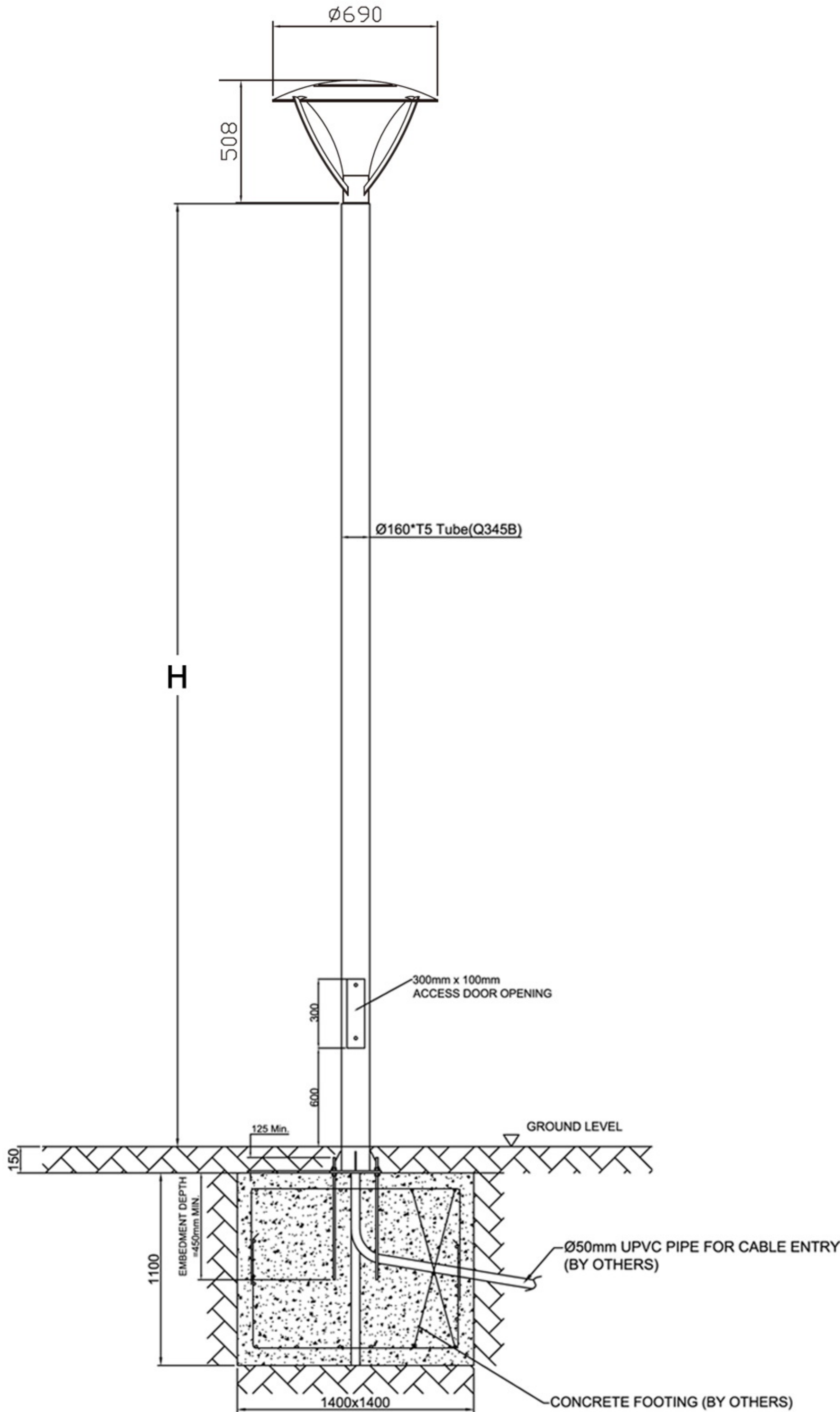
Luminous Efficacy: 80 lm/W
Power Factor: ≥90
CRI: ≥80
Life: Over 50,000hours
-the lumen output deliver over 50% of its initial lumen output operating 50,000 hours
-the lumen output deliver over 70% of its initial lumen output operating 35,000 hours

Remark: specifications change without prior notice.

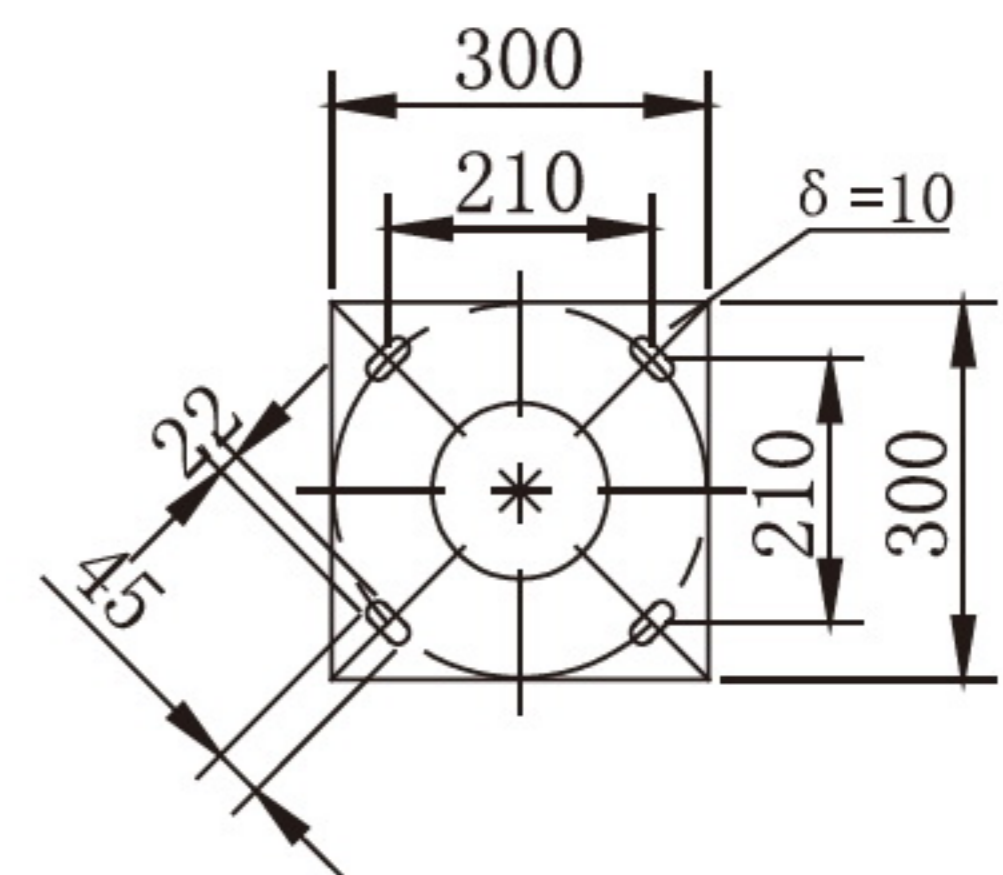




Typical Dimension & Installation(mm)



Typical Foundation(mm)



H = 3500 / 4000 / 4500 / 5000 (Optional)

Remark: specifications change without prior notice.



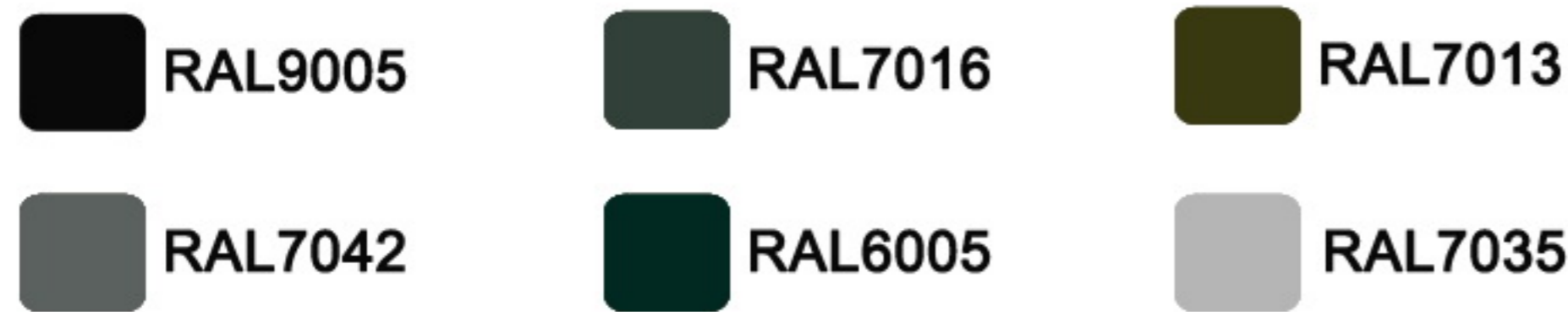
VERSION 2021

Description

The pole-top station luminaire can be specified as an arm mounted or top mounted. Lanterns are aluminium. Polycarbonate / Acrylic optical diffuser to the housing of lamp, avoiding dust; insects entering into lamp chamber and moisture contamination.

Construction

Body: Aluminium.
Decorative, mounting arm, Band & Housing: Steel / aluminium alloy.
Finish: Black (BK) as standard color' other colors such as (DB)(RAL7013), drak grey(GY)(RAL7016), light grey(LG)(RAL7042), drak green(DN)(RAL6005) are available.



Standard

Designed and manufactured in accordance with
- IEC/EN60598-1,
- IEC/EN60598-2-1.

Ordering Information (General LED Model)

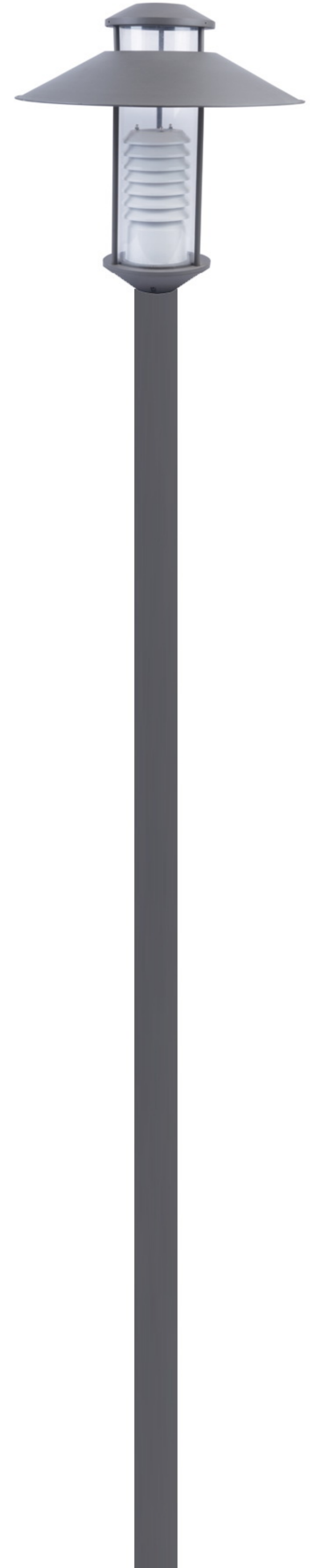
Model No.:	Using Lamps	Color Temp. (Optional)	Dimensions(mm) L x W x H
PF-10W-LED	10W LED	2700~6500K	See diagram
PF-15W-LED	15W LED	2700~6500K	See diagram
PF-20W-LED	20W LED	2700~6500K	See diagram
PF-25W-LED	25W LED	2700~6500K	See diagram
PF-30W-LED	30W LED	2700~6500K	See diagram
PF-35W-LED	35W LED	2700~6500K	See diagram
PF-40W-LED	40W LED	2700~6500K	See diagram
PF-45W-LED	45W LED	2700~6500K	See diagram
PF-50W-LED	50W LED	2700~6500K	See diagram
PF-55W-LED	55W LED	2700~6500K	See diagram
PF-60W-LED	60W LED	2700~6500K	See diagram

REMARK; ALL DATA RATING MENTIONED ±10%

NOTE:

Luminous Efficacy: 80 lm/W
Power Factor: ≥90
CRI: ≥80
Life: Over 50,000hours
-the lumen output deliver over 50% of its initial lumen output operating 50,000 hours
-the lumen output deliver over 70% of its initial lumen output operating 35,000 hours

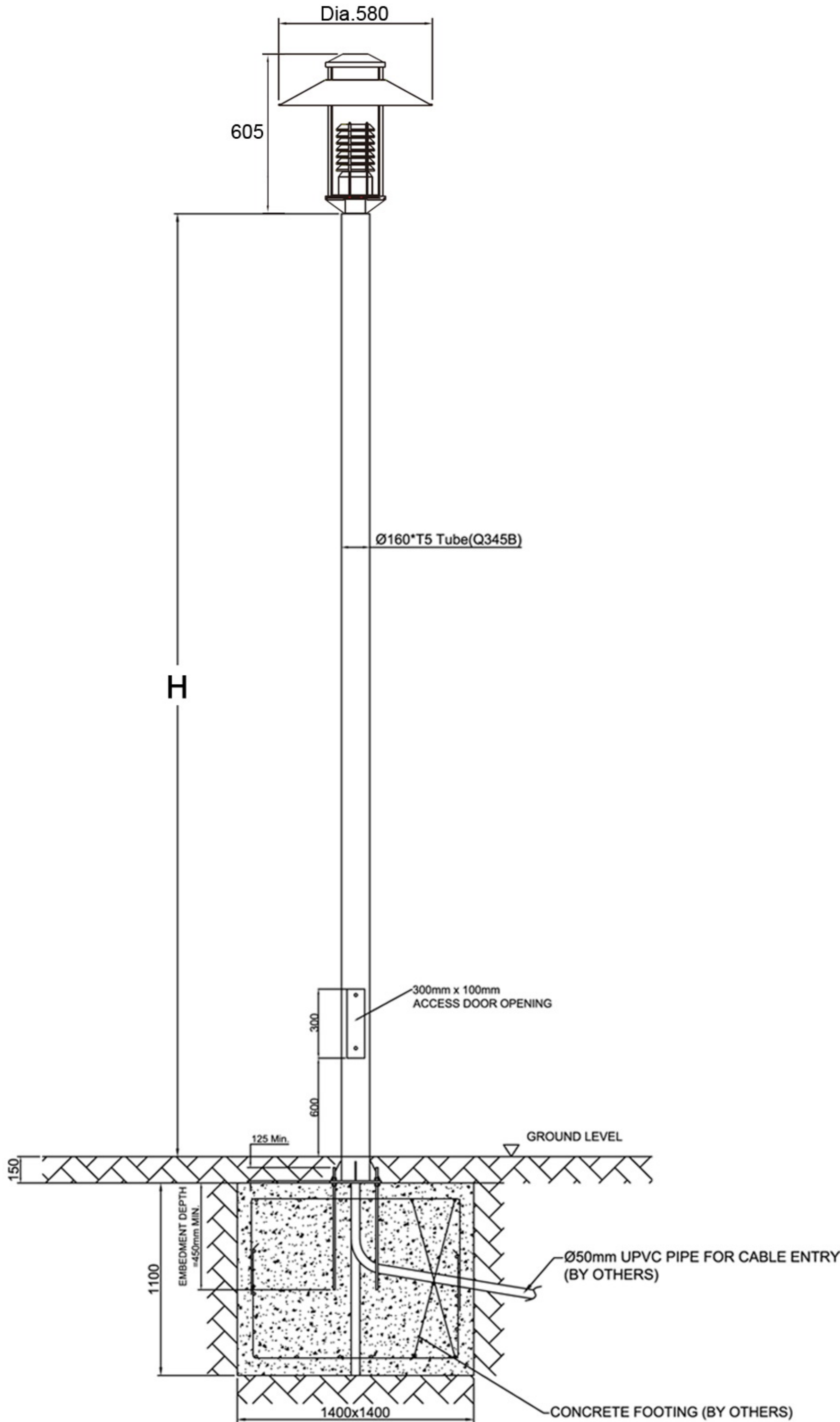
Remark: specifications change without prior notice.



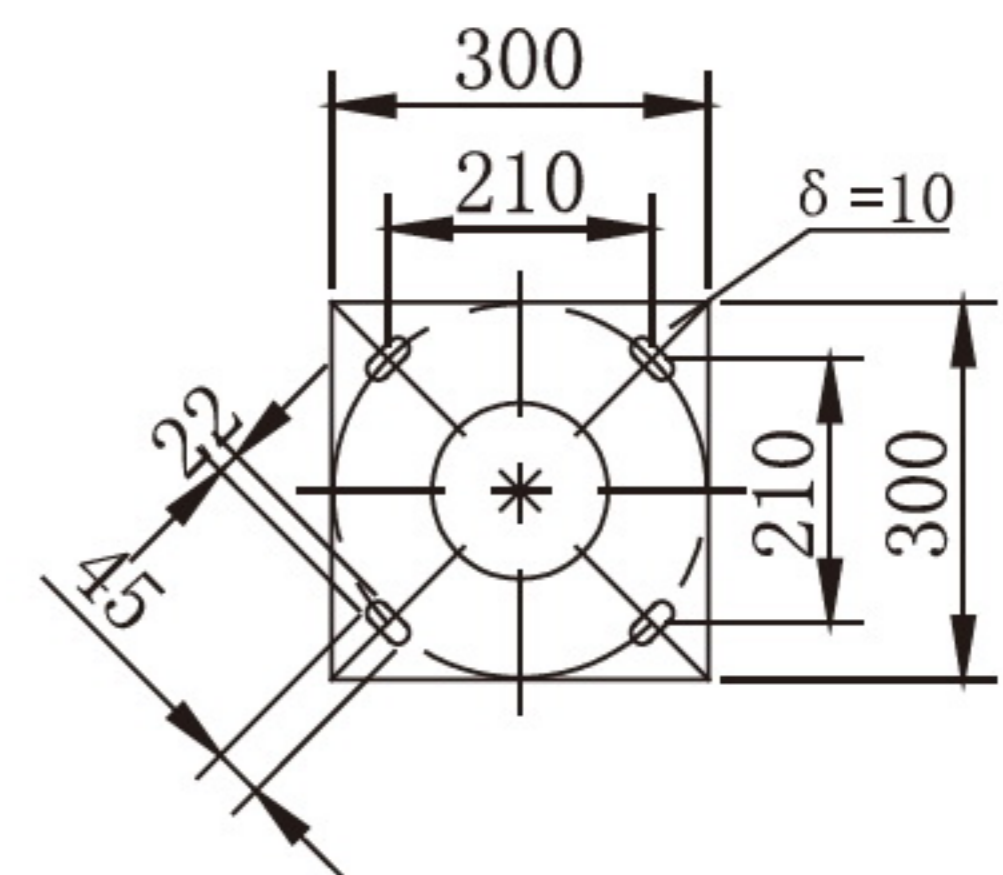


VERSION 2021

Typical Dimension & Installation(mm)



Typical Foundation(mm)



H = 3500 / 4000 / 4500 / 5000 (Optional)

Remark: specifications change without prior notice.



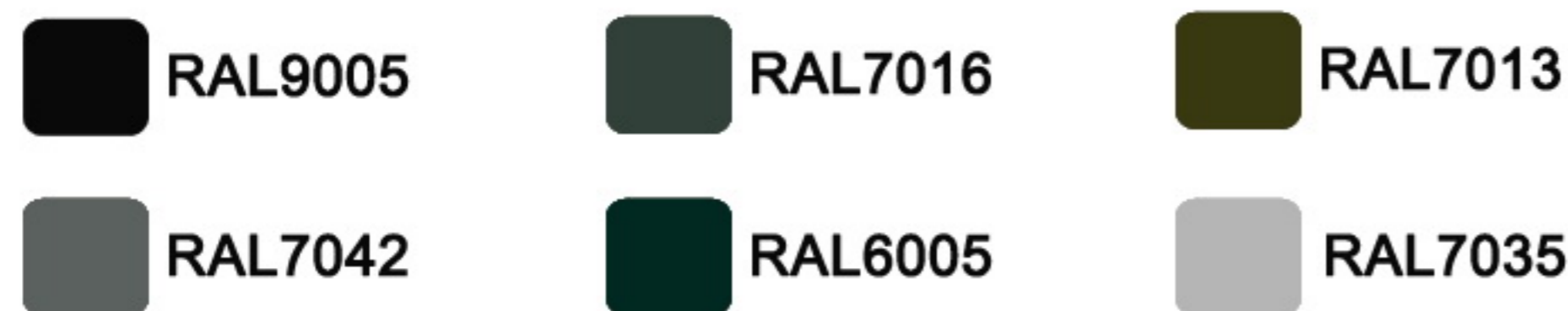
VERSION 2021

Description

The pole-top station luminaire can be specified as an arm mounted or top mounted. Lanterns are aluminium. Polycarbonate / Acrylic optical diffuser to the housing of lamp, avoiding dust; insects entering into lamp chamber and moisture contamination.

Construction

Body: Aluminium.
Decorative, mounting arm, Band & Housing: Steel / aluminium alloy.
Finish: Black (BK) as standard color' other colors such as (DB)(RAL7013), drak grey(GY)(RAL7016), light grey(LG)(RAL7042), drak green(DN)(RAL6005) are available.



Standard

Designed and manufactured in accordance with
 - IEC/EN60598-1,
 - IEC/EN60598-2-1.

Ordering Information (General LED Model)

Model No.:	Using Lamps	Color Temp. (Optional)	Dimensions(mm) L x W x H
PG-10W-LED	10W LED	2700~6500K	See diagram
PG-15W-LED	15W LED	2700~6500K	See diagram
PG-20W-LED	20W LED	2700~6500K	See diagram
PG-25W-LED	25W LED	2700~6500K	See diagram
PG-30W-LED	30W LED	2700~6500K	See diagram
PG-35W-LED	35W LED	2700~6500K	See diagram
PG-40W-LED	40W LED	2700~6500K	See diagram
PG-45W-LED	45W LED	2700~6500K	See diagram
PG-50W-LED	50W LED	2700~6500K	See diagram
PG-55W-LED	55W LED	2700~6500K	See diagram
PG-60W-LED	60W LED	2700~6500K	See diagram

REMARK; ALL DATA RATING MENTIONED ±10%

NOTE:

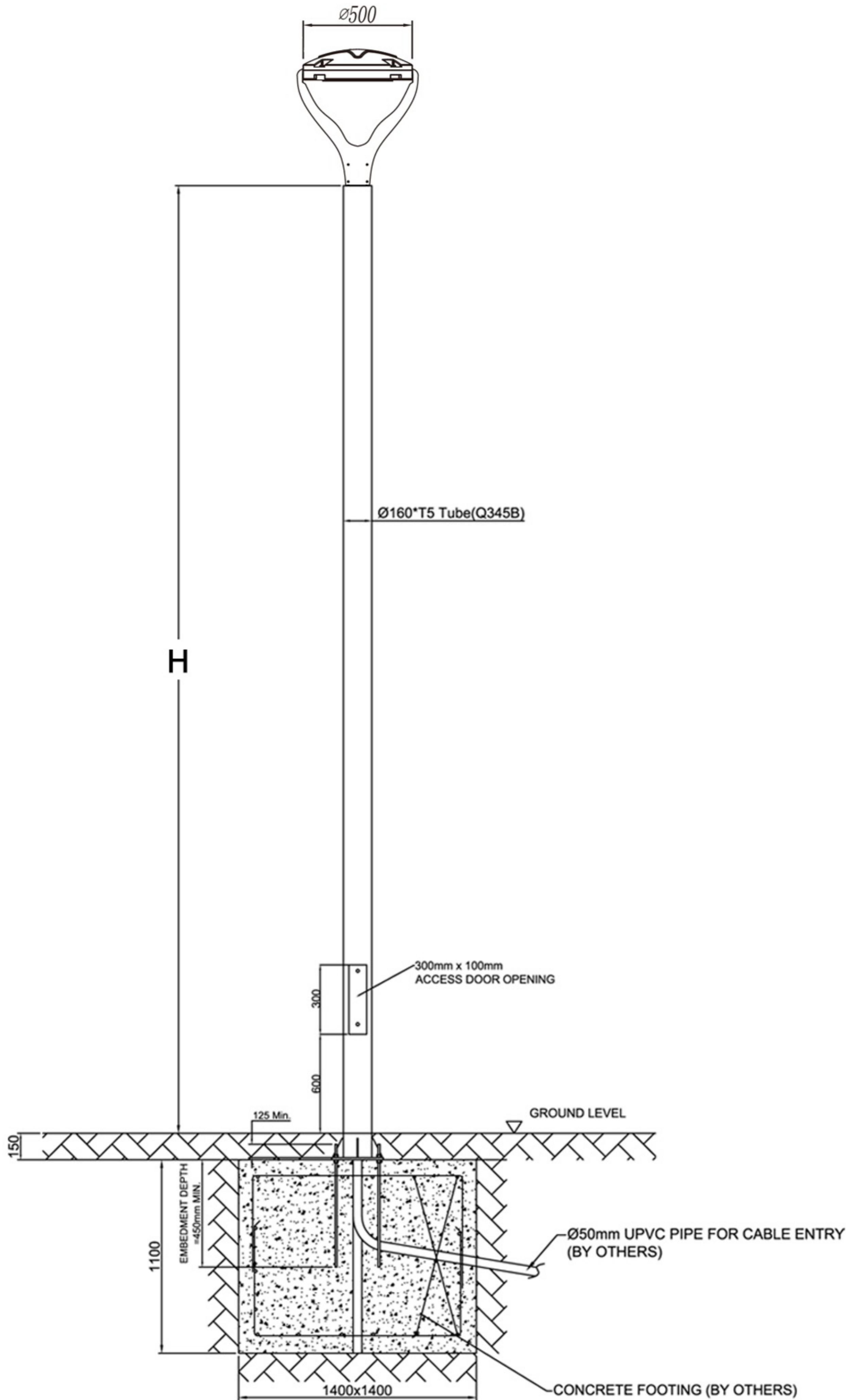
Luminous Efficacy: 80 lm/W
 Power Factor: ≥90
 CRI: ≥80
 Life: Over 50,000hours
 -the lumen output deliver over 50% of its initial lumen output operating 50,000 hours
 -the lumen output deliver over 70% of its initial lumen output operating 35,000 hours

Remark: specifications change without prior notice.

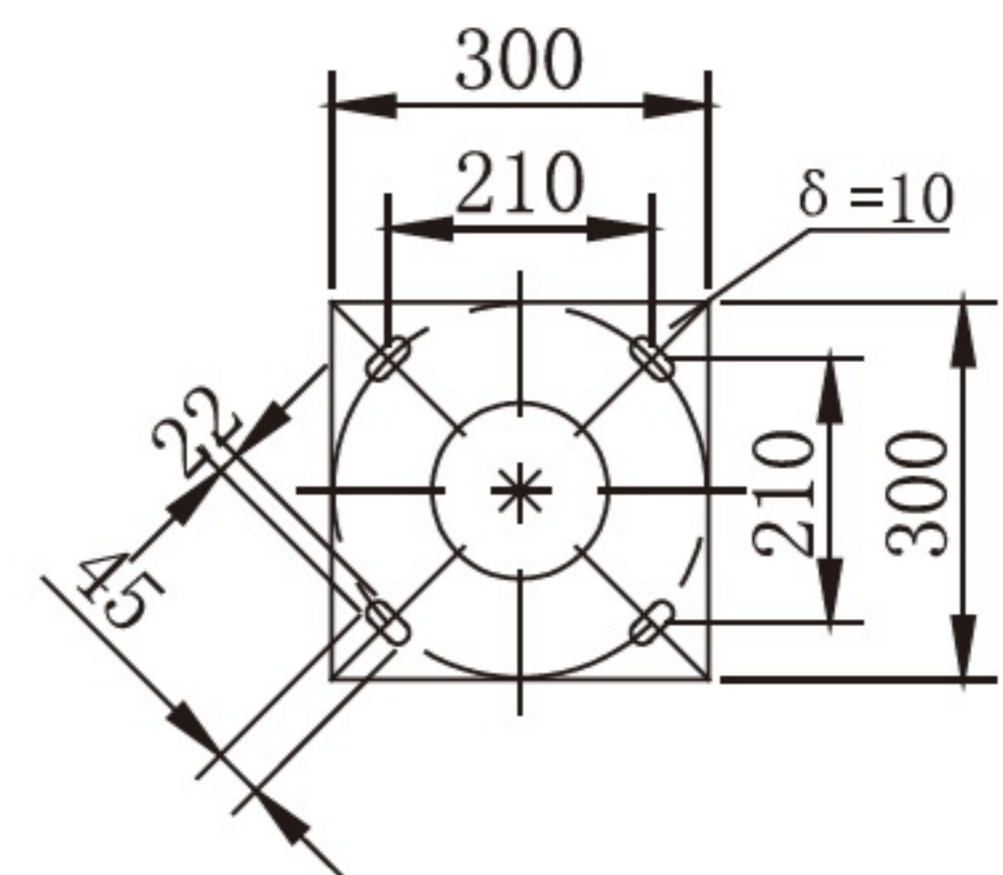




Typical Dimension & Installation(mm)



Typical Foundation(mm)



H = 3500 / 4000 / 4500 / 5000 (Optional)

Remark: specifications change without prior notice.



VERSION 2021

Description

The pole-top station luminaire can be specified as an arm mounted or top mounted. Lanterns are aluminium. Polycarbonate / Acrylic optical diffuser to the housing of lamp, avoiding dust; insects entering into lamp chamber and moisture contamination.

Construction

Body: Aluminium.
Decorative, mounting arm, Band & Housing: Steel / aluminium alloy.
Finish: Black (BK) as standard color' other colors such as (DB)(RAL7013), drak grey(GY)(RAL7016), light grey(LG)(RAL7042), drak green(DN)(RAL6005) are available.



Standard

Designed and manufactured in accordance with
 - IEC/EN60598-1,
 - IEC/EN60598-2-1.

Ordering Information (General LED Model)

Model No.:	Using Lamps	Color Temp. (Optional)	Dimensions(mm)
			L x W x H
PH-10W-LED	10W LED	2700~6500K	See diagram
PH-15W-LED	15W LED	2700~6500K	See diagram
PH-20W-LED	20W LED	2700~6500K	See diagram
PH-25W-LED	25W LED	2700~6500K	See diagram
PH-30W-LED	30W LED	2700~6500K	See diagram
PH-35W-LED	35W LED	2700~6500K	See diagram
PH-40W-LED	40W LED	2700~6500K	See diagram
PH-45W-LED	45W LED	2700~6500K	See diagram
PH-50W-LED	50W LED	2700~6500K	See diagram
PH-55W-LED	55W LED	2700~6500K	See diagram
PH-60W-LED	60W LED	2700~6500K	See diagram

REMARK; ALL DATA RATING MENTIONED ±10%

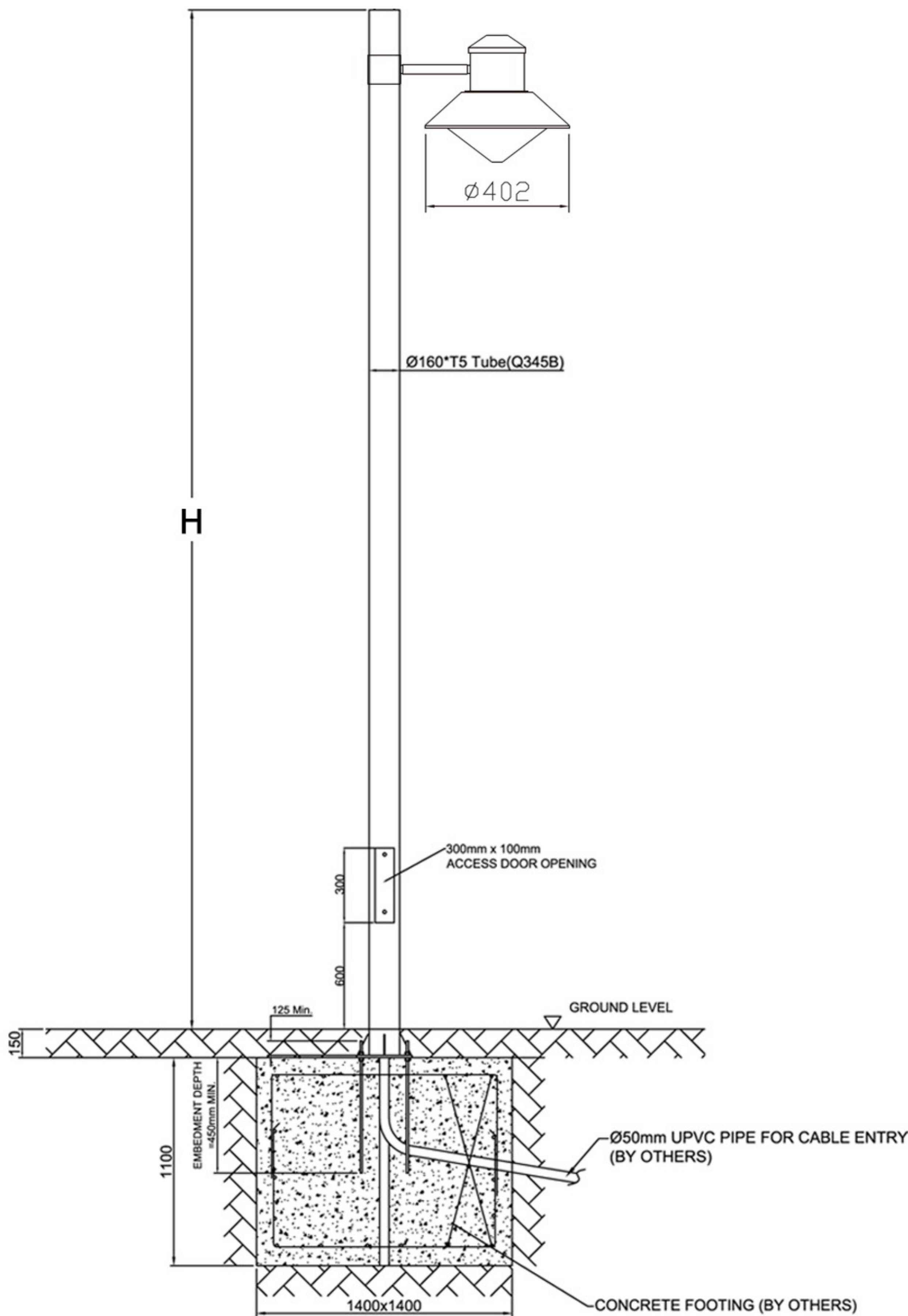
NOTE:

Luminous Efficacy: 80 lm/W
 Power Factor: ≥90
 CRI: ≥80
 Life: Over 50,000hours
 -the lumen output deliver over 50% of its initial lumen output operating 50,000 hours
 -the lumen output deliver over 70% of its initial lumen output operating 35,000 hours

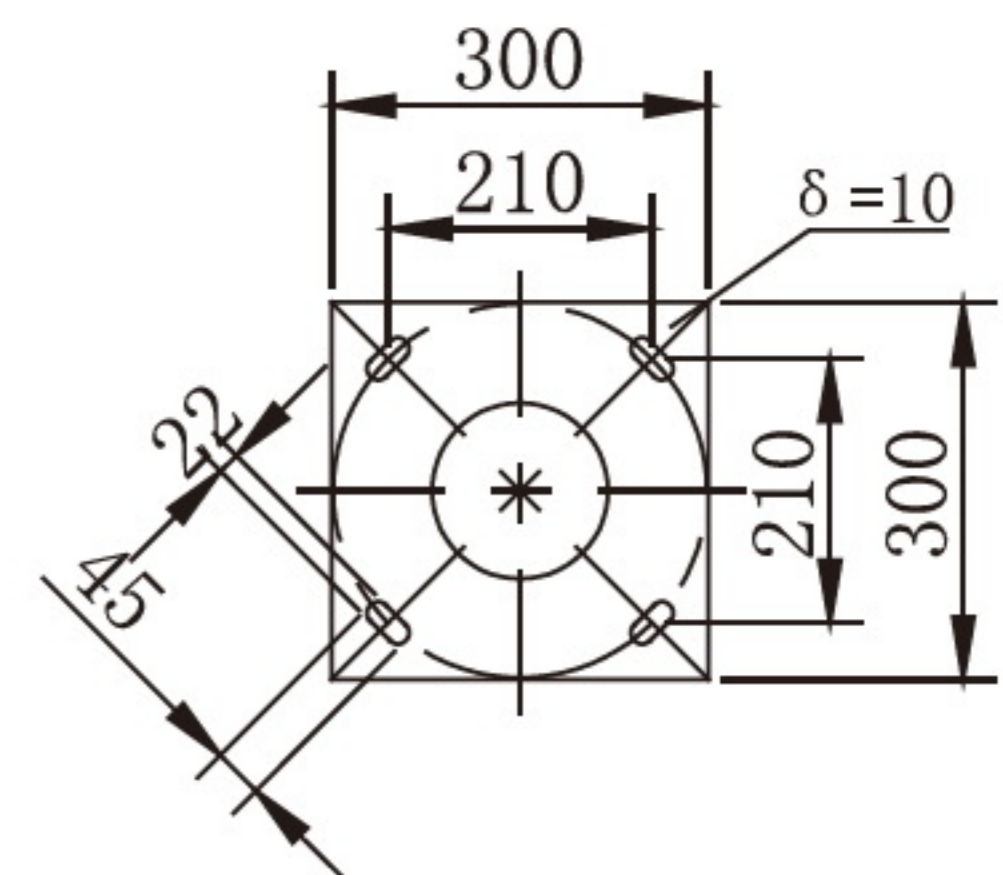
Remark: specifications change without prior notice.



Typical Dimension & Installation(mm)



Typical Foundation(mm)



H = 3500 / 4000 / 4500 / 5000 (Optional)

Remark: specifications change without prior notice.



VERSION 2021

Description

The pole-top station luminaire can be specified as an arm mounted or top mounted. Lanterns are aluminium. Polycarbonate / Acrylic optical diffuser to the housing of lamp, avoiding dust; insects entering into lamp chamber and moisture contamination.

Construction

Body: Aluminium.
Decorative, mounting arm, Band & Housing: Steel / aluminium alloy.
Finish: Black (BK) as standard color' other colors such as (DB)(RAL7013), drak grey(GY)(RAL7016), light grey(LG)(RAL7042), drak green(DN)(RAL6005) are available.



Standard

Designed and manufactured in accordance with
- IEC/EN60598-1,
- IEC/EN60598-2-1.

Ordering Information (General LED Model)

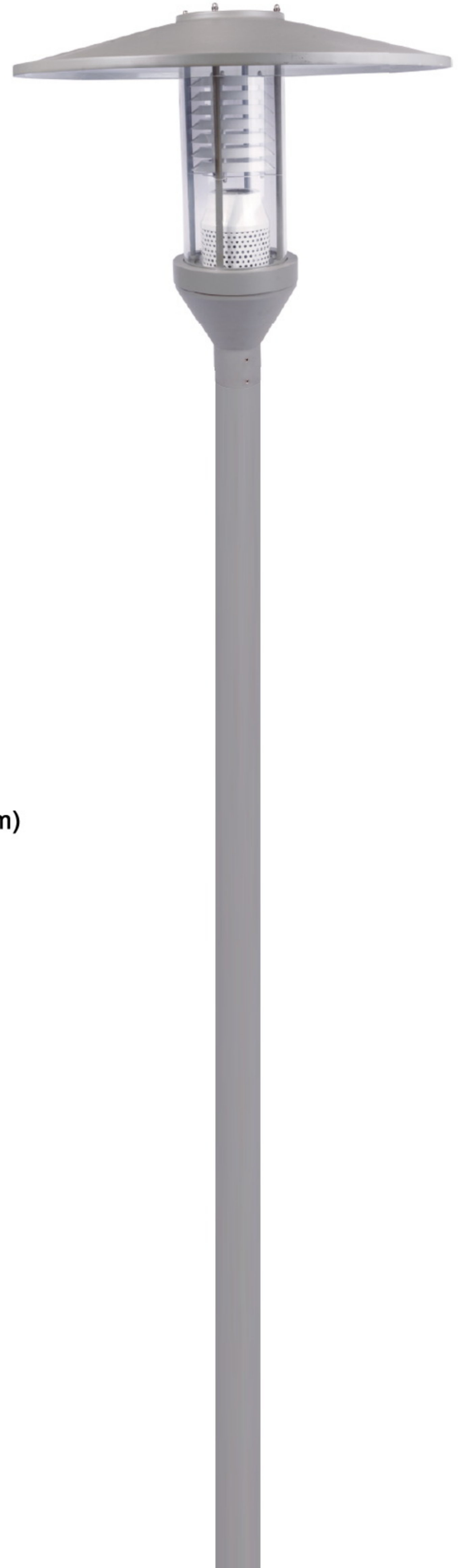
Model No.:	Using Lamps	Color Temp. (Optional)	Dimensions(mm)
			L x W x H
PK-10W-LED	10W LED	2700~6500K	See diagram
PK-15W-LED	15W LED	2700~6500K	See diagram
PK-20W-LED	20W LED	2700~6500K	See diagram
PK-25W-LED	25W LED	2700~6500K	See diagram
PK-30W-LED	30W LED	2700~6500K	See diagram
PK-35W-LED	35W LED	2700~6500K	See diagram
PK-40W-LED	40W LED	2700~6500K	See diagram
PK-45W-LED	45W LED	2700~6500K	See diagram
PK-50W-LED	50W LED	2700~6500K	See diagram
PK-55W-LED	55W LED	2700~6500K	See diagram
PK-60W-LED	60W LED	2700~6500K	See diagram

REMARK; ALL DATA RATING MENTIONED ±10%

NOTE:

Luminous Efficacy: 80 lm/W
Power Factor: ≥90
CRI: ≥80
Life: Over 50,000hours
-the lumen output deliver over 50% of its initial lumen output operating 50,000 hours
-the lumen output deliver over 70% of its initial lumen output operating 35,000 hours

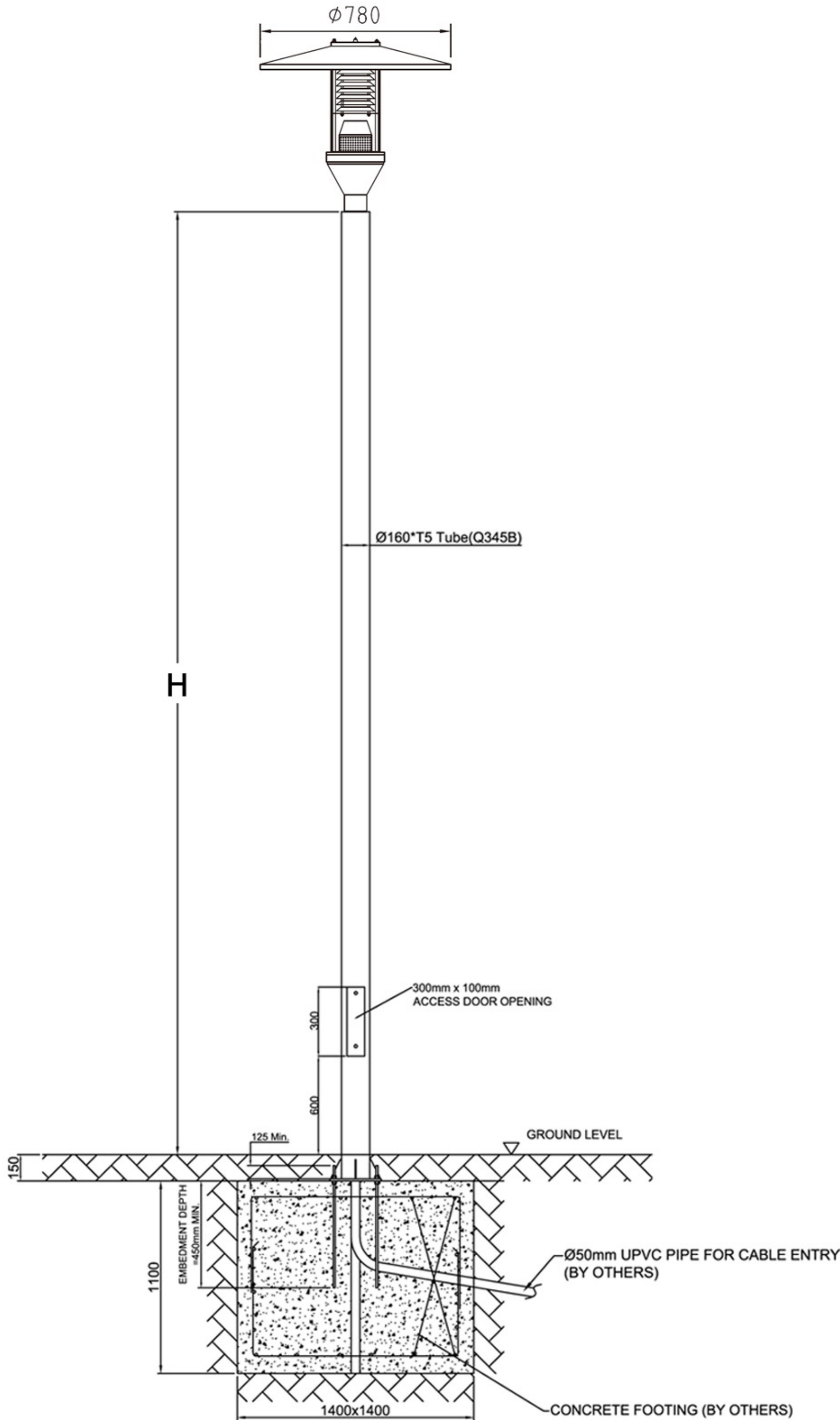
Remark: specifications change without prior notice.



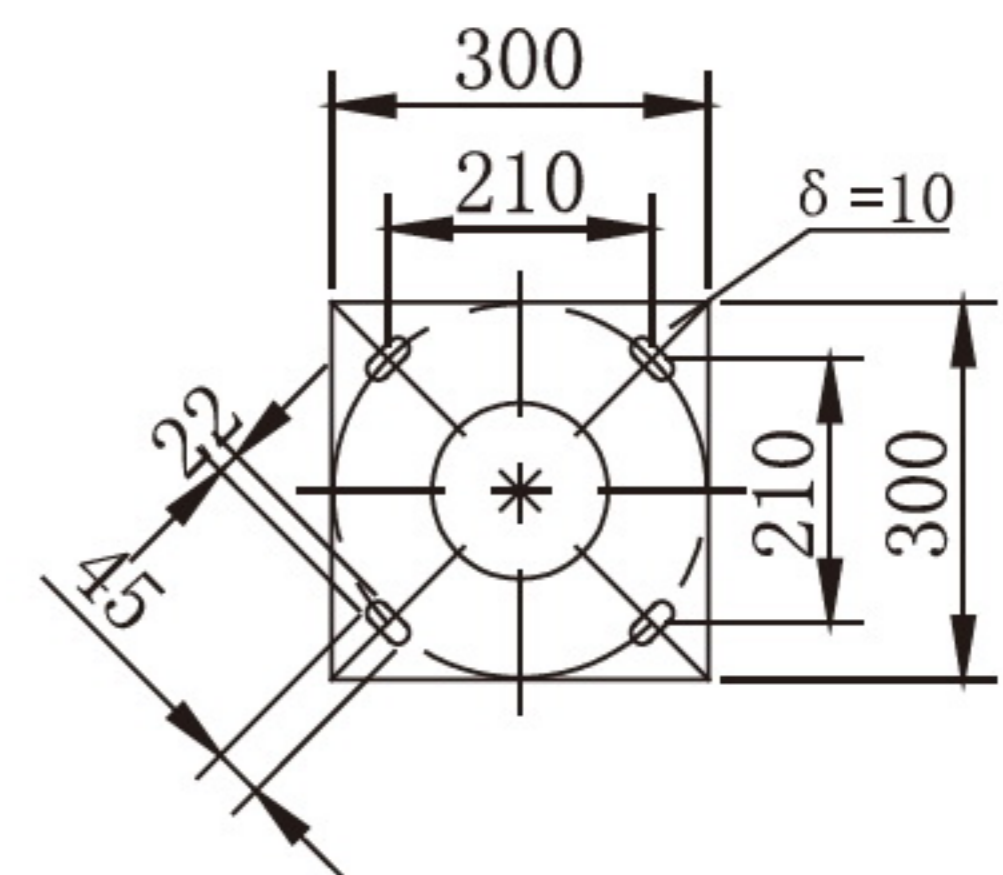


VERSION 2021

Typical Dimension & Installation(mm)



Typical Foundation(mm)



H = 3500 / 4000 / 4500 / 5000 (Optional)

Remark: specifications change without prior notice.



VERSION 2021

Description

The pole-top station luminaire can be specified as an arm mounted or top mounted. Lanterns are aluminium. Polycarbonate / Acrylic optical diffuser to the housing of lamp, avoiding dust; insects entering into lamp chamber and moisture contamination.

Construction

Body: Aluminium.

Decorative, mounting arm, Band & Housing: Steel / aluminium alloy.

Finish: Black (BK) as standard color' other colors such as (DB)(RAL7013), drak grey(GY)(RAL7016), light grey(LG)(RAL7042), drak green(DN)(RAL6005) are available.



Standard

Designed and manufactured in accordance with
- IEC/EN60598-1,
- IEC/EN60598-2-1.

Ordering Information (General LED Model)

Model No.:	Using Lamps	Color Temp. (Optional)	Dimensions(mm)
			L x W x H
PL-10W-LED	10W LED	2700~6500K	See diagram
PL-15W-LED	15W LED	2700~6500K	See diagram
PL-20W-LED	20W LED	2700~6500K	See diagram
PL-25W-LED	25W LED	2700~6500K	See diagram
PL-30W-LED	30W LED	2700~6500K	See diagram
PL-35W-LED	35W LED	2700~6500K	See diagram
PL-40W-LED	40W LED	2700~6500K	See diagram
PL-45W-LED	45W LED	2700~6500K	See diagram
PL-50W-LED	50W LED	2700~6500K	See diagram
PL-55W-LED	55W LED	2700~6500K	See diagram
PL-60W-LED	60W LED	2700~6500K	See diagram

REMARK; ALL DATA RATING MENTIONED $\pm 10\%$

NOTE:

Luminous Efficacy: 80 lm/W

Power Factor: ≥ 90

CRI: ≥ 80

Life: Over 50,000hours

-the lumen output deliver over 50% of its initial lumen output operating 50,000 hours

-the lumen output deliver over 70% of its initial lumen output operating 35,000 hours

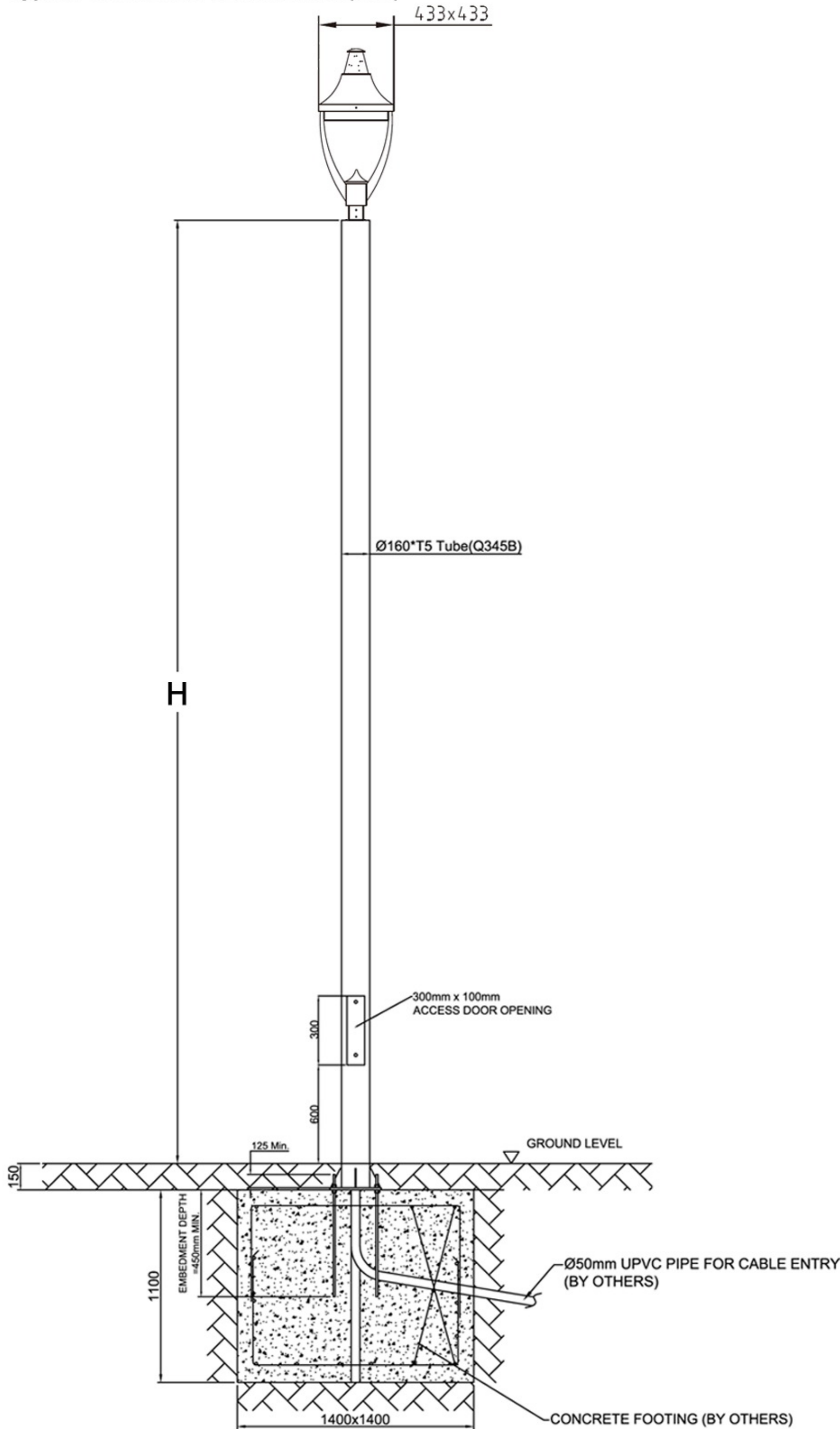
Remark: specifications change without prior notice.



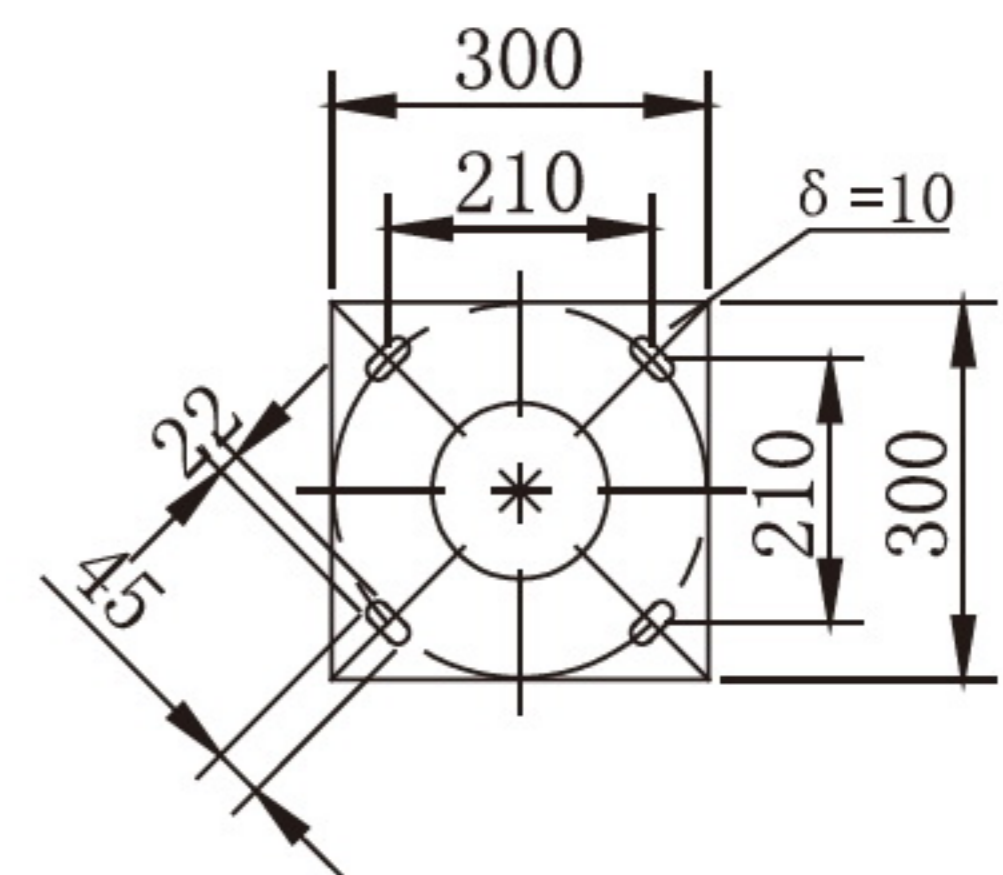


VERSION 2021

Typical Dimension & Installation(mm)



Typical Foundation(mm)



$H = 3500 / 4000 / 4500 / 5000$ (Optional)

Remark: specifications change without prior notice.



VERSION 2021

Description

The pole-top station luminaire can be specified as an arm mounted or top mounted. Lanterns are aluminium. Polycarbonate / Acrylic optical diffuser to the housing of lamp, avoiding dust; insects entering into lamp chamber and moisture contamination.

Construction

Body: Aluminium.
Decorative, mounting arm, Band & Housing: Steel / aluminium alloy.
Finish: Black (BK) as standard color' other colors such as (DB)(RAL7013), drak grey(GY)(RAL7016), light grey(LG)(RAL7042), drak green(DN)(RAL6005) are available.



Standard

Designed and manufactured in accordance with
- IEC/EN60598-1,
- IEC/EN60598-2-1.

Ordering Information (General LED Model)

Model No.:	Using Lamps	Color Temp. (Optional)	Dimensions(mm)
			L x W x H
PM-10W-LED	10W LED	2700~6500K	See diagram
PM-15W-LED	15W LED	2700~6500K	See diagram
PM-20W-LED	20W LED	2700~6500K	See diagram
PM-25W-LED	25W LED	2700~6500K	See diagram
PM-30W-LED	30W LED	2700~6500K	See diagram
PM-35W-LED	35W LED	2700~6500K	See diagram
PM-40W-LED	40W LED	2700~6500K	See diagram
PM-45W-LED	45W LED	2700~6500K	See diagram
PM-50W-LED	50W LED	2700~6500K	See diagram
PM-55W-LED	55W LED	2700~6500K	See diagram
PM-60W-LED	60W LED	2700~6500K	See diagram

REMARK; ALL DATA RATING MENTIONED ±10%

NOTE:

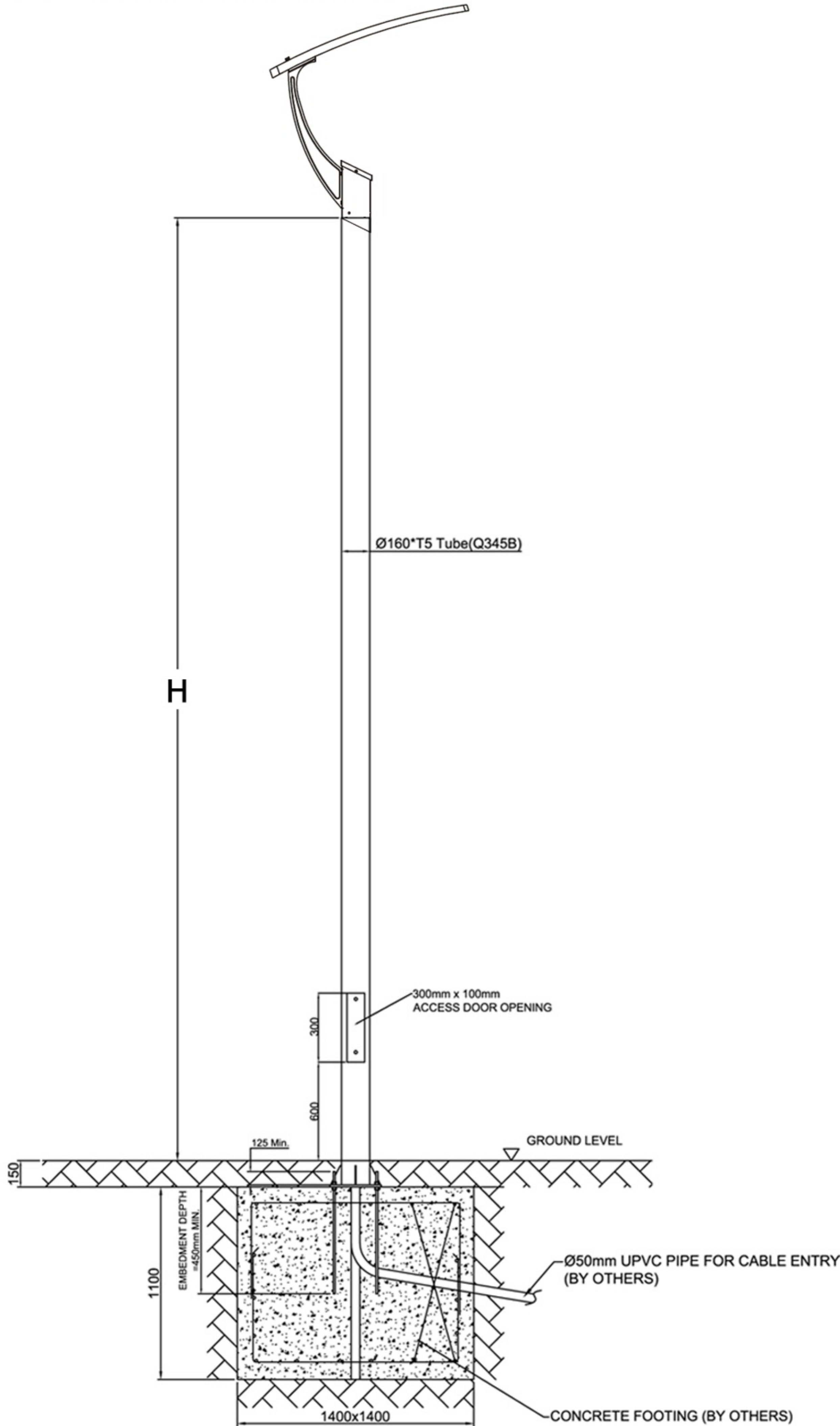
Luminous Efficacy: 80 lm/W
Power Factor: ≥90
CRI: ≥80
Life: Over 50,000hours
-the lumen output deliver over 50% of its initial lumen output operating 50,000 hours
-the lumen output deliver over 70% of its initial lumen output operating 35,000 hours

Remark: specifications change without prior notice.

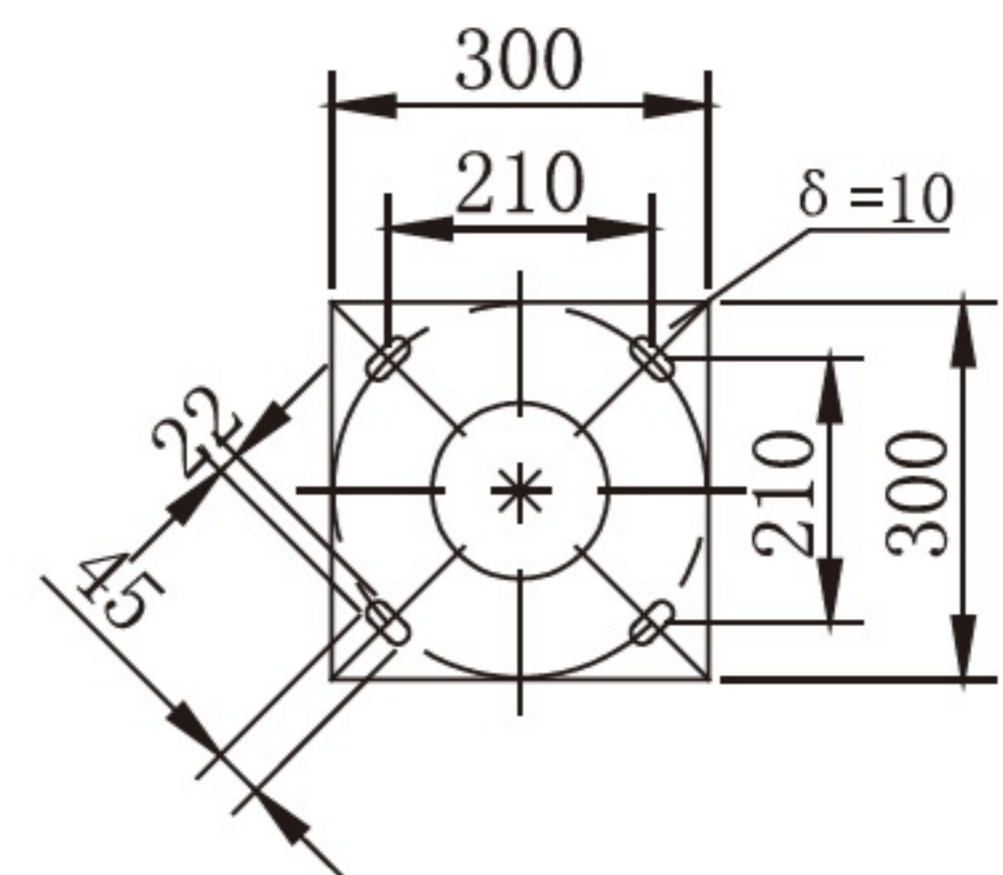




Typical Dimension & Installation(mm)



Typical Foundation(mm)



H = 3500 / 4000 / 4500 / 5000 (Optional)

Remark: specifications change without prior notice.



VERSION 2021

Description

The pole-top station luminaire can be specified as an arm mounted or top mounted. Lanterns are aluminium. Polycarbonate / Acrylic optical diffuser to the housing of lamp, avoiding dust; insects entering into lamp chamber and moisture contamination.

Construction

Body: Aluminium.
Decorative, mounting arm, Band & Housing: Steel / aluminium alloy.
Finish: Black (BK) as standard color' other colors such as (DB)(RAL7013), drak grey(GY)(RAL7016), light grey(LG)(RAL7042), drak green(DN)(RAL6005) are available.



Standard

Designed and manufactured in accordance with
 - IEC/EN60598-1,
 - IEC/EN60598-2-1.

Ordering Information (General LED Model)

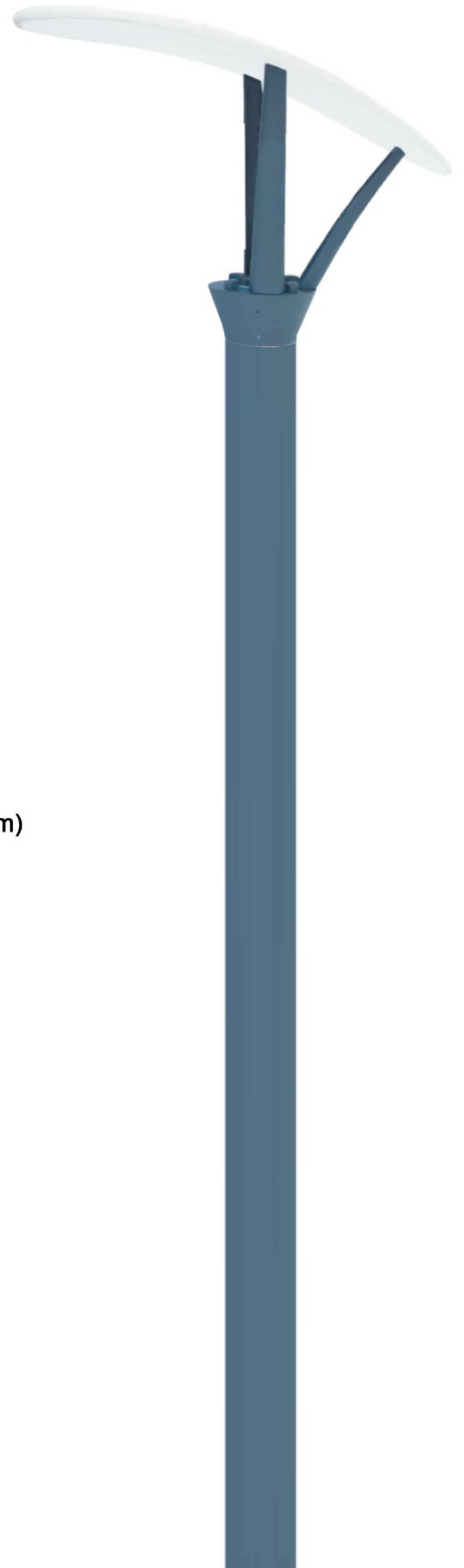
Model No.:	Using Lamps	Color Temp. (Optional)	Dimensions(mm) L x W x H
PN-10W-LED	10W LED	2700~6500K	See diagram
PN-15W-LED	15W LED	2700~6500K	See diagram
PN-20W-LED	20W LED	2700~6500K	See diagram
PN-25W-LED	25W LED	2700~6500K	See diagram
PN-30W-LED	30W LED	2700~6500K	See diagram
PN-35W-LED	35W LED	2700~6500K	See diagram
PN-40W-LED	40W LED	2700~6500K	See diagram
PN-45W-LED	45W LED	2700~6500K	See diagram
PN-50W-LED	50W LED	2700~6500K	See diagram
PN-55W-LED	55W LED	2700~6500K	See diagram
PN-60W-LED	60W LED	2700~6500K	See diagram

REMARK; ALL DATA RATING MENTIONED ±10%

NOTE:

Luminous Efficacy: 80 lm/W
 Power Factor: ≥90
 CRI: ≥80
 Life: Over 50,000hours
 -the lumen output deliver over 50% of its initial lumen output operating 50,000 hours
 -the lumen output deliver over 70% of its initial lumen output operating 35,000 hours

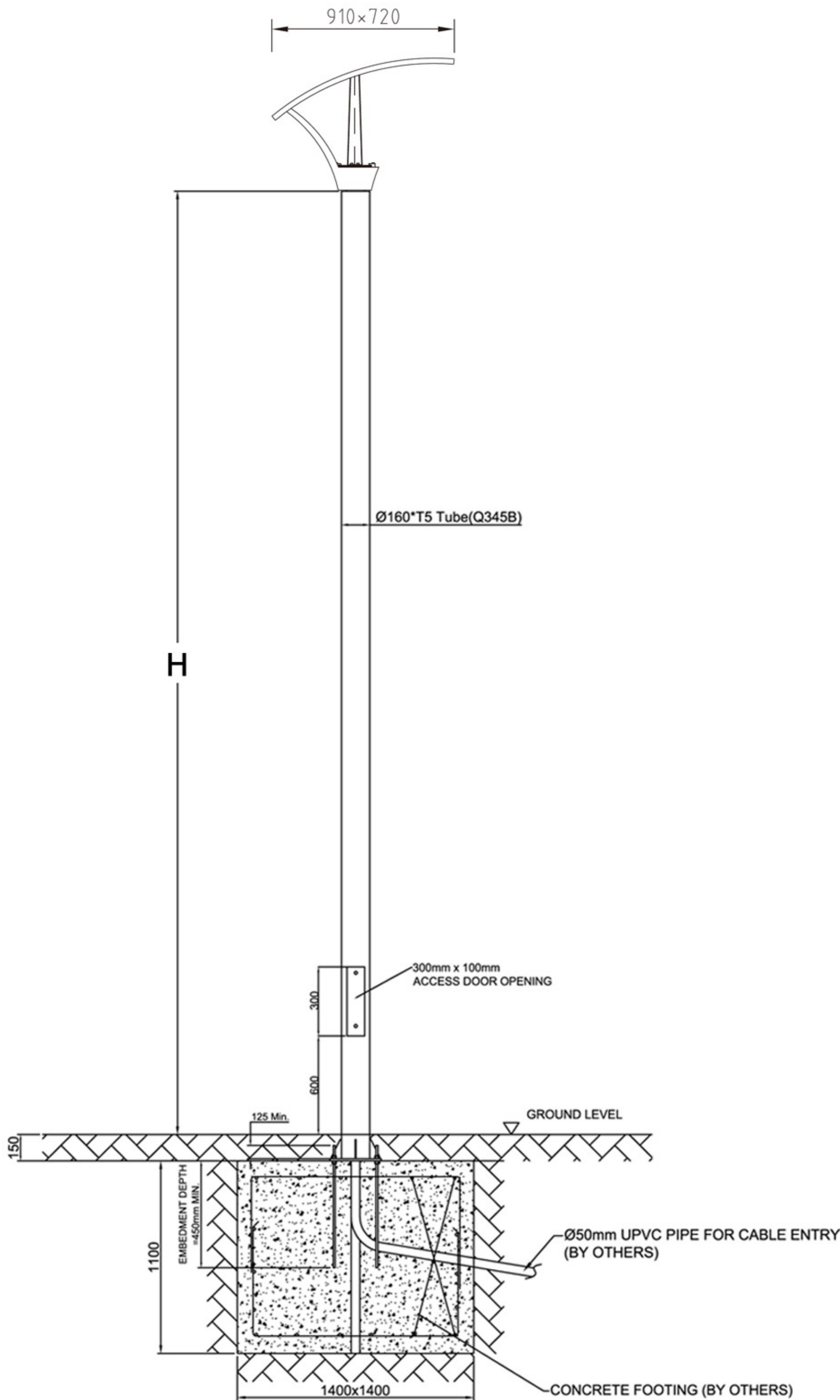
Remark: specifications change without prior notice.



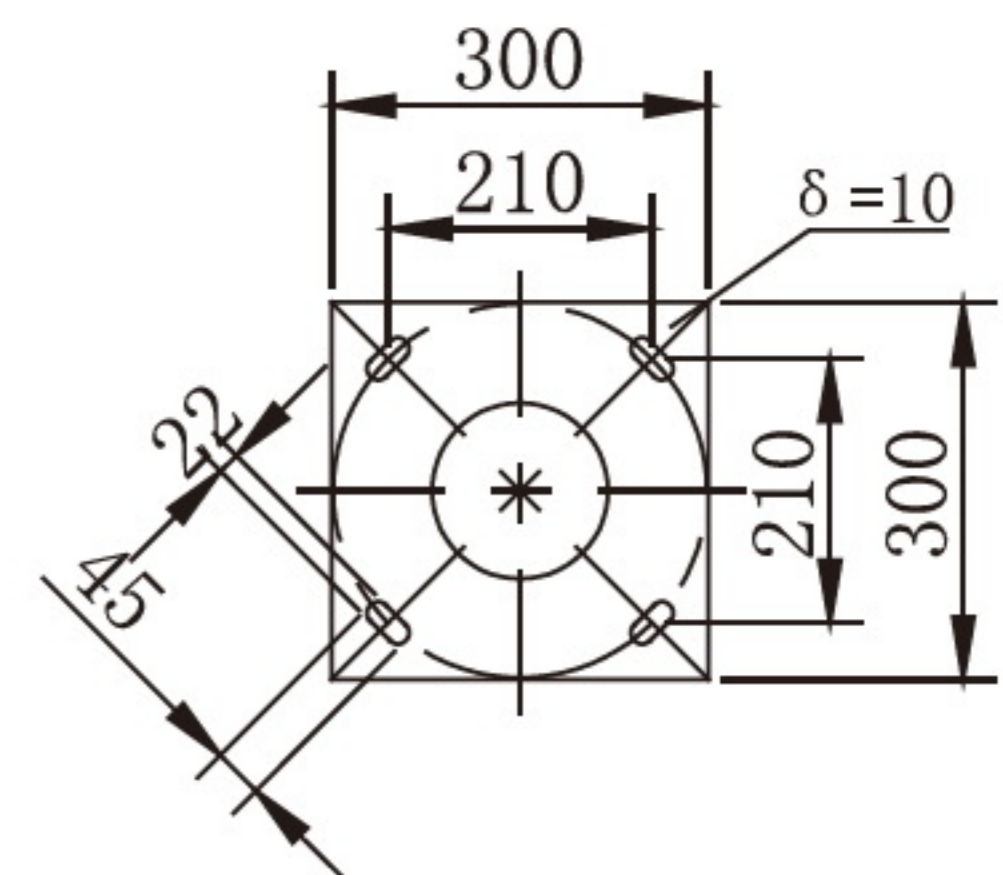


VERSION 2021

Typical Dimension & Installation(mm)



Typical Foundation(mm)



H = 3500 / 4000 / 4500 / 5000 (Optional)

Remark: specifications change without prior notice.



VERSION 2021

Description

The pole-top station luminaire can be specified as an arm mounted or top mounted. Lanterns are aluminium. Polycarbonate / Acrylic optical diffuser to the housing of lamp, avoiding dust; insects entering into lamp chamber and moisture contamination.

Construction

Body: Aluminium.
Decorative, mounting arm, Band & Housing: Steel / aluminium alloy.
Finish: Black (BK) as standard color' other colors such as (DB)(RAL7013), drak grey(GY)(RAL7016), light grey(LG)(RAL7042), drak green(DN)(RAL6005) are available.



Standard

Designed and manufactured in accordance with
- IEC/EN60598-1,
- IEC/EN60598-2-1.

Ordering Information (General LED Model)

Model No.:	Using Lamps	Color Temp. (Optional)	Dimensions(mm)
			L x W x H
PP-10W-LED	10W LED	2700~6500K	See diagram
PP-15W-LED	15W LED	2700~6500K	See diagram
PP-20W-LED	20W LED	2700~6500K	See diagram
PP-25W-LED	25W LED	2700~6500K	See diagram
PP-30W-LED	30W LED	2700~6500K	See diagram
PP-35W-LED	35W LED	2700~6500K	See diagram
PP-40W-LED	40W LED	2700~6500K	See diagram
PP-45W-LED	45W LED	2700~6500K	See diagram
PP-50W-LED	50W LED	2700~6500K	See diagram
PP-55W-LED	55W LED	2700~6500K	See diagram
PP-60W-LED	60W LED	2700~6500K	See diagram

REMARK; ALL DATA RATING MENTIONED ±10%

NOTE:

Luminous Efficacy: 80 lm/W
Power Factor: ≥90
CRI: ≥80
Life: Over 50,000hours
-the lumen output deliver over 50% of its initial lumen output operating 50,000 hours
-the lumen output deliver over 70% of its initial lumen output operating 35,000 hours

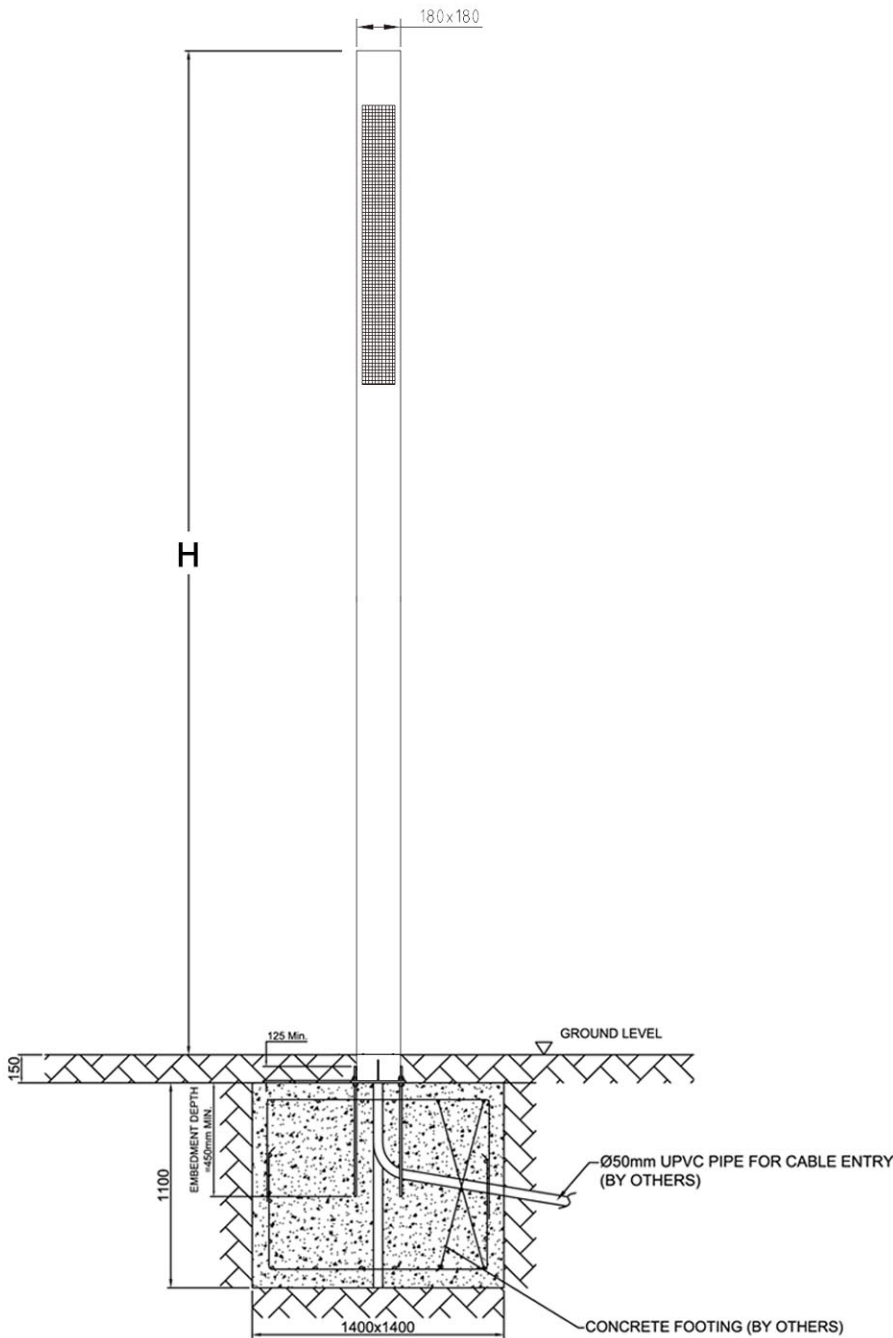
Remark: specifications change without prior notice.



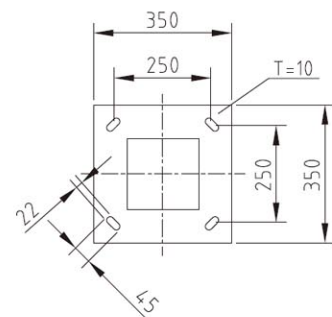


VERSION 2021

Typical Dimension & Installation(mm)



Typical Foundation(mm)



H = 3500 / 4000 / 4500 / 5000 (Optional)

Remark: specifications change without prior notice.



VERSION 2021

Description

The pole-top station luminaire can be specified as an arm mounted or top mounted. Lanterns are aluminium. Polycarbonate / Acrylic optical diffuser to the housing of lamp, avoiding dust; insects entering into lamp chamber and moisture contamination.

Construction

Body: Aluminium.

Decorative, mounting arm, Band & Housing: Steel / aluminium alloy.

Finish: Black (BK) as standard color' other colors such as (DB)(RAL7013), drak grey(GY)(RAL7016), light grey(LG)(RAL7042), drak green(DN)(RAL6005) are available.



Standard

Designed and manufactured in accordance with
- IEC/EN60598-1,
- IEC/EN60598-2-1.

Ordering Information (General LED Model)

Model No.:	Using Lamps	Color Temp. (Optional)	Dimensions(mm)
			L x W x H
PR-10W-LED	10W LED	2700~6500K	See diagram
PR-15W-LED	15W LED	2700~6500K	See diagram
PR-20W-LED	20W LED	2700~6500K	See diagram
PR-25W-LED	25W LED	2700~6500K	See diagram
PR-30W-LED	30W LED	2700~6500K	See diagram
PR-35W-LED	35W LED	2700~6500K	See diagram
PR-40W-LED	40W LED	2700~6500K	See diagram
PR-45W-LED	45W LED	2700~6500K	See diagram
PR-50W-LED	50W LED	2700~6500K	See diagram
PR-55W-LED	55W LED	2700~6500K	See diagram
PR-60W-LED	60W LED	2700~6500K	See diagram

REMARK; ALL DATA RATING MENTIONED $\pm 10\%$

NOTE:

Luminous Efficacy: 80 lm/W

Power Factor: ≥ 90

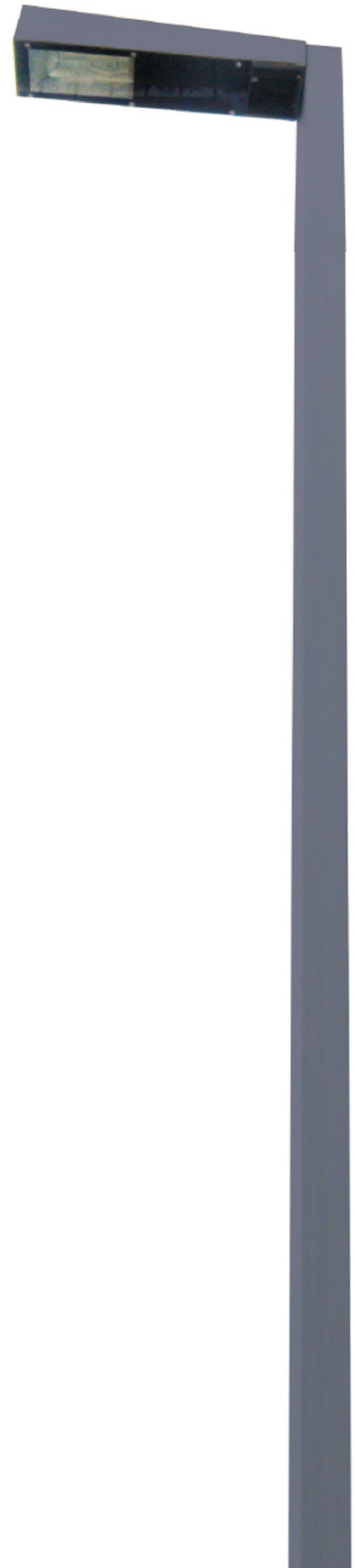
CRI: ≥ 80

Life: Over 50,000hours

-the lumen output deliver over 50% of its initial lumen output operating 50,000 hours

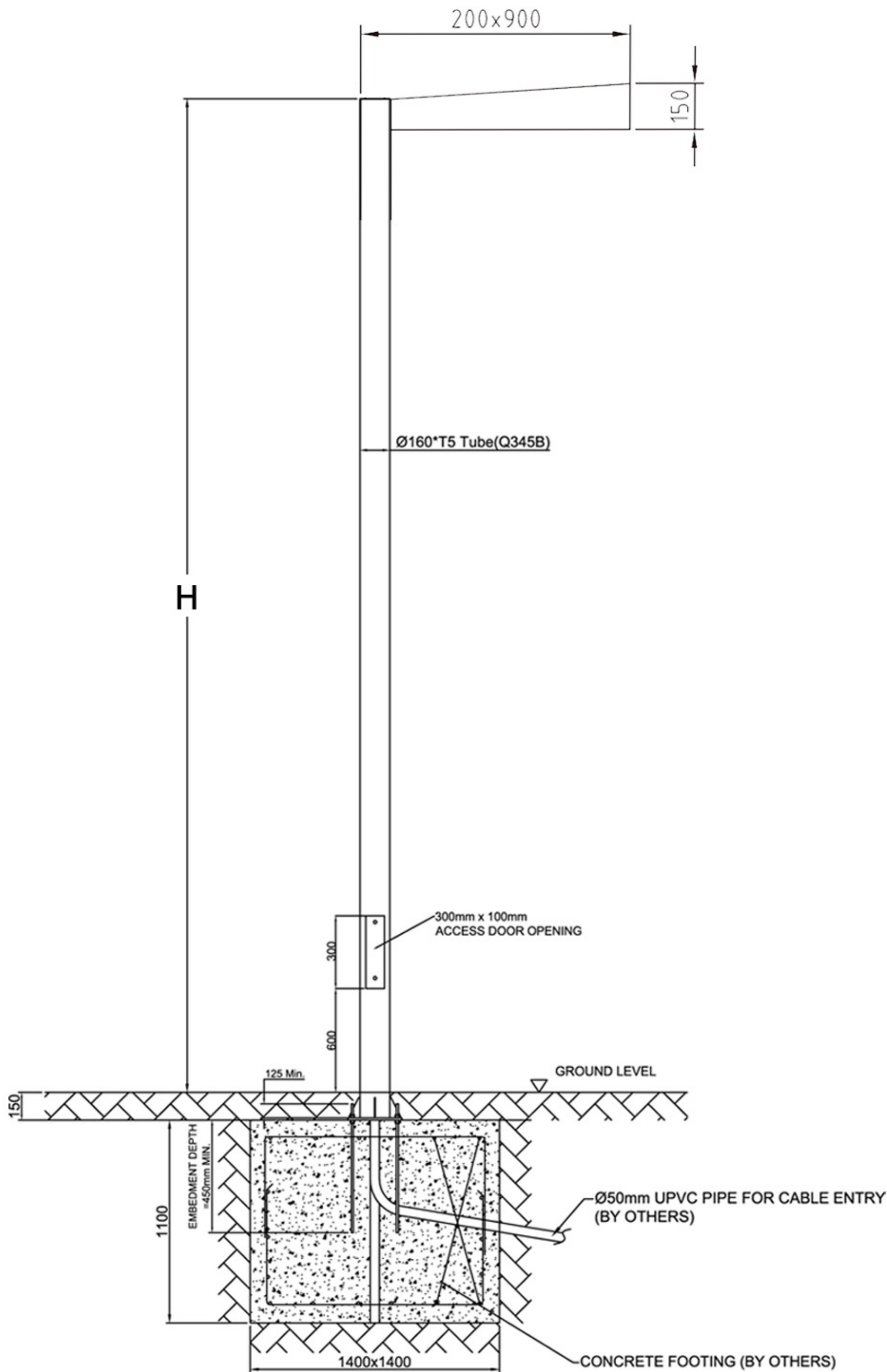
-the lumen output deliver over 70% of its initial lumen output operating 35,000 hours

Remark: specifications change without prior notice.

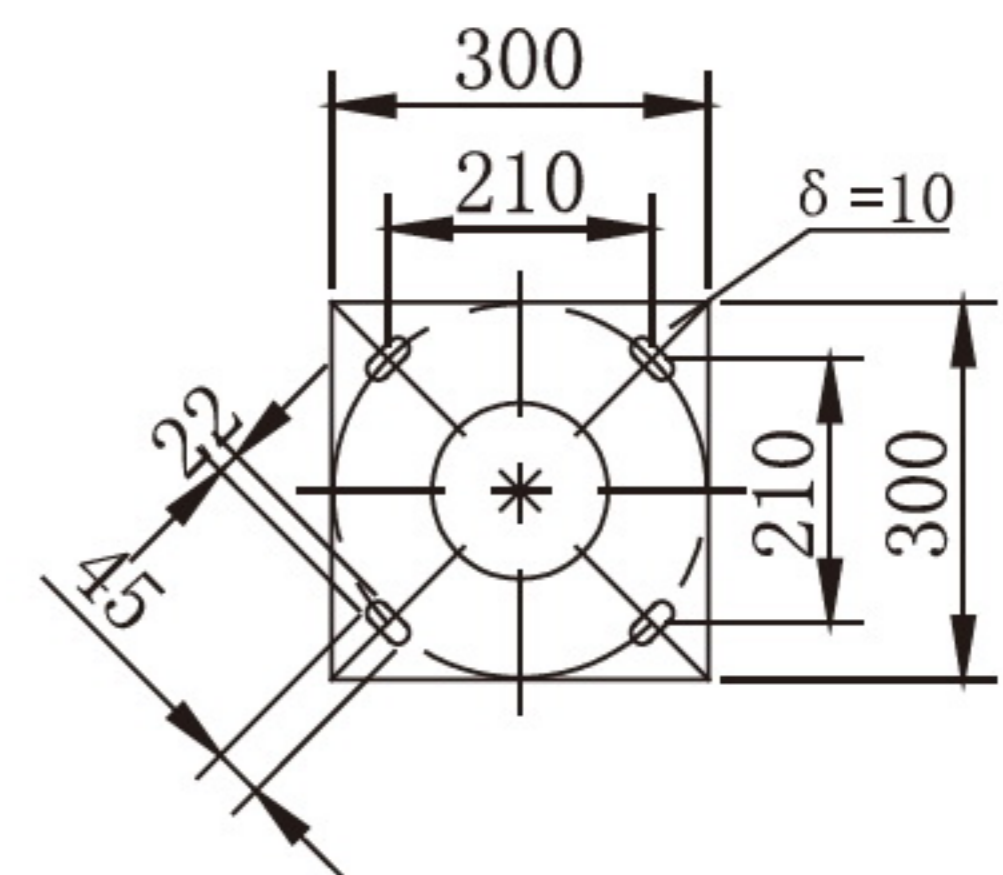




Typical Dimension & Installation(mm)



Typical Foundation(mm)



H = 3500 / 4000 / 4500 / 5000 (Optional)

Remark: specifications change without prior notice.



VERSION 2021

Description

The pole-top station luminaire can be specified as an arm mounted or top mounted. Lanterns are aluminium. Polycarbonate / Acrylic optical diffuser to the housing of lamp, avoiding dust; insects entering into lamp chamber and moisture contamination.

Construction

Body: Aluminium.

Decorative, mounting arm, Band & Housing: Steel / aluminium alloy.

Finish: Black (BK) as standard color' other colors such as (DB)(RAL7013), drak grey(GY)(RAL7016), light grey(LG)(RAL7042), drak green(DN)(RAL6005) are available.



Standard

Designed and manufactured in accordance with
- IEC/EN60598-1,
- IEC/EN60598-2-1.

Ordering Information (General LED Model)

Model No.:	Using Lamps	Color Temp. (Optional)	Dimensions(mm)
			L x W x H
PS-10W-LED	10W LED	2700~6500K	See diagram
PS-15W-LED	15W LED	2700~6500K	See diagram
PS-20W-LED	20W LED	2700~6500K	See diagram
PS-25W-LED	25W LED	2700~6500K	See diagram
PS-30W-LED	30W LED	2700~6500K	See diagram
PS-35W-LED	35W LED	2700~6500K	See diagram
PS-40W-LED	40W LED	2700~6500K	See diagram
PS-45W-LED	45W LED	2700~6500K	See diagram
PS-50W-LED	50W LED	2700~6500K	See diagram
PS-55W-LED	55W LED	2700~6500K	See diagram
PS-60W-LED	60W LED	2700~6500K	See diagram

REMARK; ALL DATA RATING MENTIONED $\pm 10\%$

NOTE:

Luminous Efficacy: 80 lm/W

Power Factor: ≥ 90

CRI: ≥ 80

Life: Over 50,000hours

-the lumen output deliver over 50% of its initial lumen output operating 50,000 hours

-the lumen output deliver over 70% of its initial lumen output operating 35,000 hours

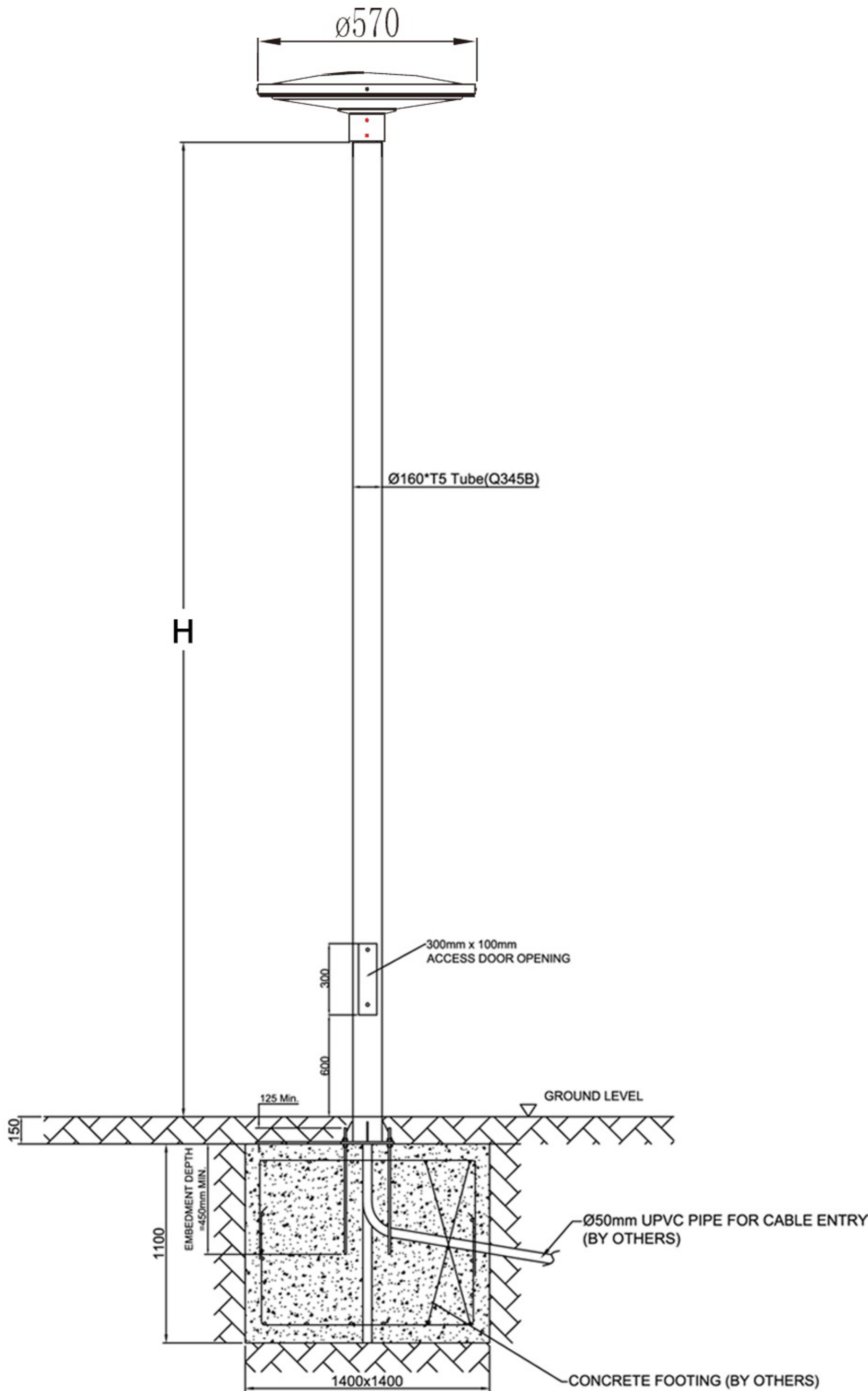
Remark: specifications change without prior notice.



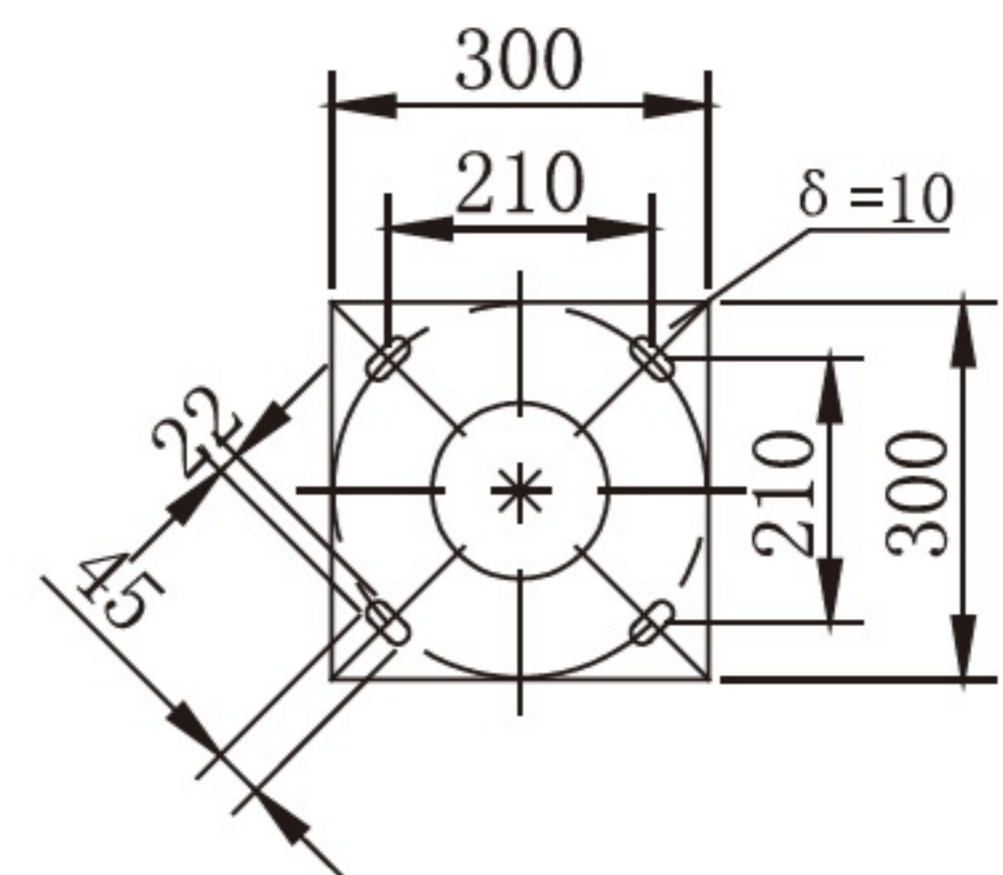


VERSION 2021

Typical Dimension & Installation(mm)



Typical Foundation(mm)



H = 3500 / 4000 / 4500 / 5000 (Optional)

Remark: specifications change without prior notice.



VERSION 2021

Description

The pole-top station luminaire can be specified as an arm mounted or top mounted. Lanterns are aluminium. Polycarbonate / Acrylic optical diffuser to the housing of lamp, avoiding dust; insects entering into lamp chamber and moisture contamination.

Construction

Body: Aluminium.

Decorative, mounting arm, Band & Housing: Steel / aluminium alloy.

Finish: Black (BK) as standard color' other colors such as (DB)(RAL7013), drak grey(GY)(RAL7016), light grey(LG)(RAL7042), drak green(DN)(RAL6005) are available.



Standard

Designed and manufactured in accordance with
- IEC/EN60598-1,
- IEC/EN60598-2-1.

Ordering Information (General LED Model)

Model No.:	Using Lamps	Color Temp. (Optional)	Dimensions(mm)
			L x W x H
PT-10W-LED	10W LED	2700~6500K	See diagram
PT-15W-LED	15W LED	2700~6500K	See diagram
PT-20W-LED	20W LED	2700~6500K	See diagram
PT-25W-LED	25W LED	2700~6500K	See diagram
PT-30W-LED	30W LED	2700~6500K	See diagram
PT-35W-LED	35W LED	2700~6500K	See diagram
PT-40W-LED	40W LED	2700~6500K	See diagram
PT-45W-LED	45W LED	2700~6500K	See diagram
PT-50W-LED	50W LED	2700~6500K	See diagram
PT-55W-LED	55W LED	2700~6500K	See diagram
PT-60W-LED	60W LED	2700~6500K	See diagram

REMARK; ALL DATA RATING MENTIONED $\pm 10\%$

NOTE:

Luminous Efficacy: 80 lm/W

Power Factor: ≥ 90

CRI: ≥ 80

Life: Over 50,000hours

-the lumen output deliver over 50% of its initial lumen output operating 50,000 hours

-the lumen output deliver over 70% of its initial lumen output operating 35,000 hours

Remark: specifications change without prior notice.

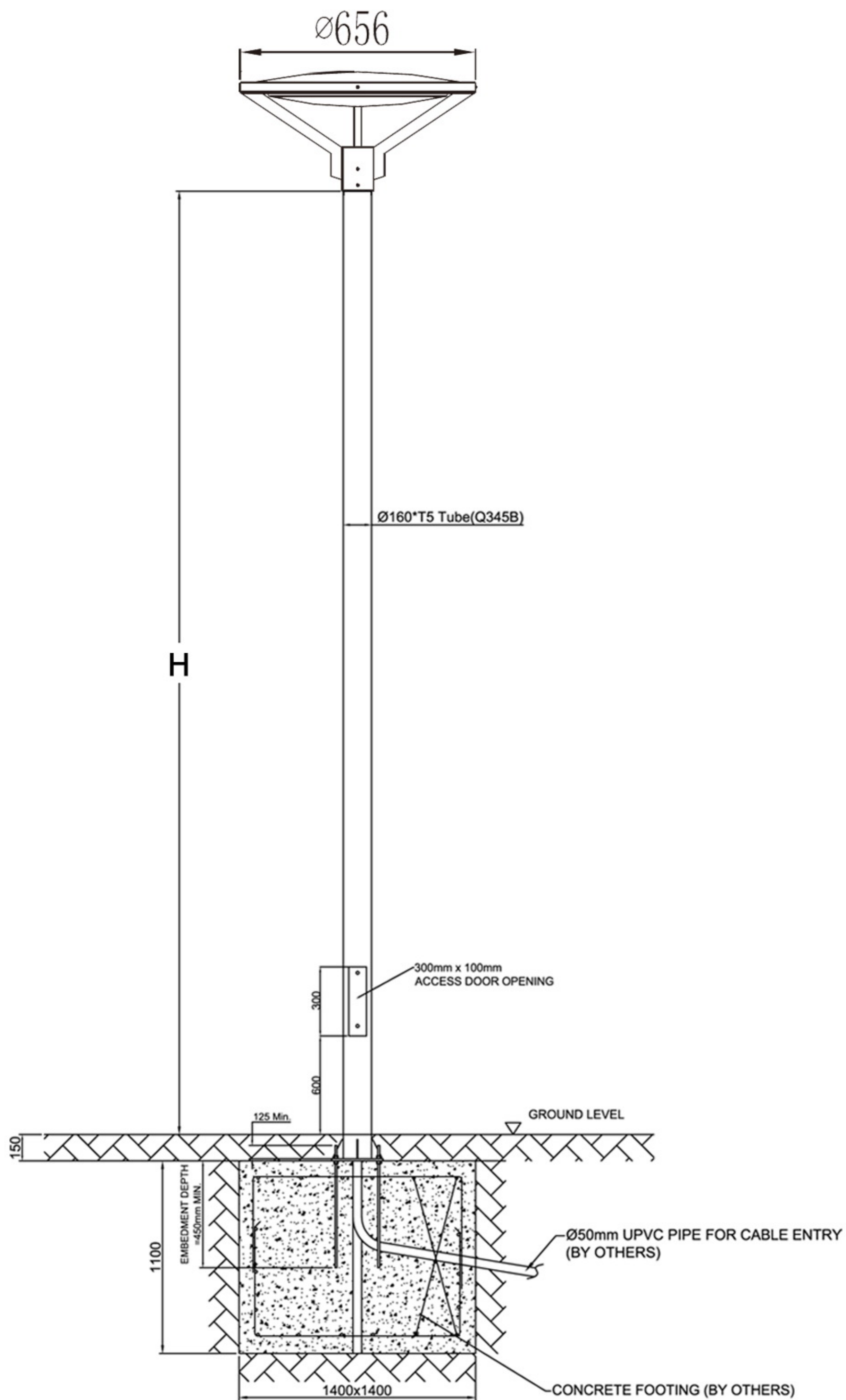


ARCHITECTURE OUTDOOR POLE TOP LUMINARIES

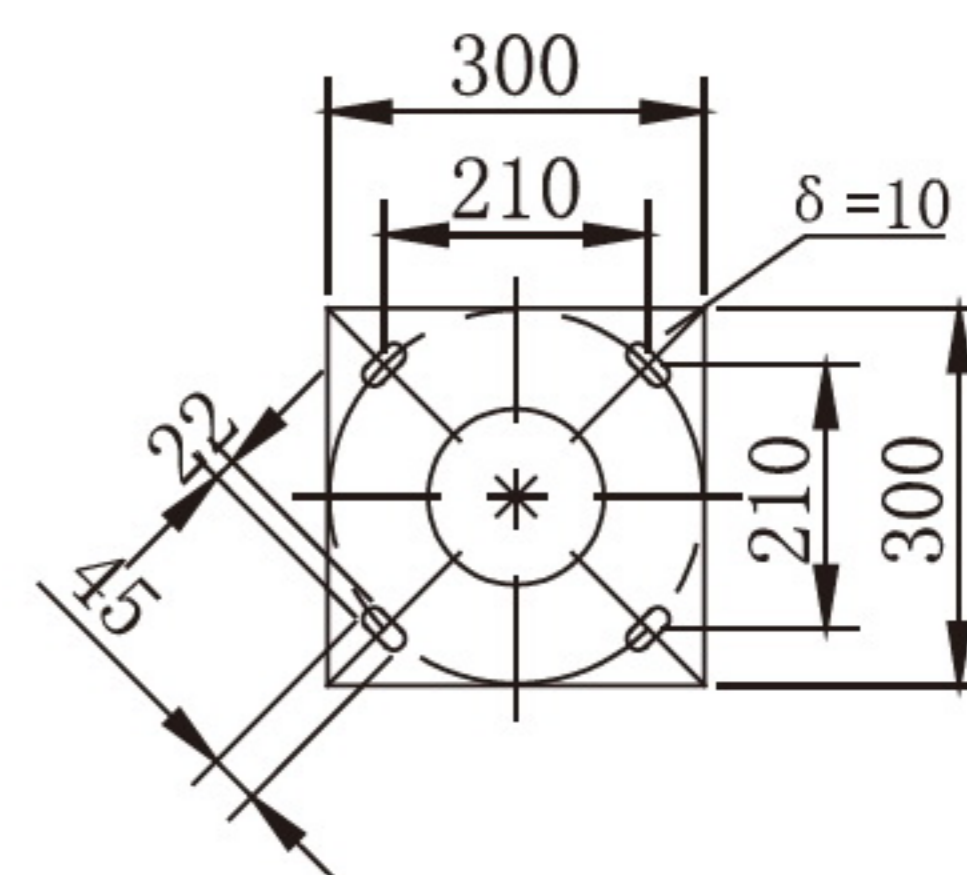


VERSION 2021

Typical Dimension & Installation(mm)



Typical Foundation(mm)



H = 3500 / 4000 / 4500 / 5000 (Optional)

Remark: specifications change without prior notice.



VERSION 2021

Description

The pole-top station luminaire can be specified as an arm mounted or top mounted. Lanterns are aluminium. Polycarbonate / Acrylic optical diffuser to the housing of lamp, avoiding dust; insects entering into lamp chamber and moisture contamination.

Construction

Body: Aluminium.
Decorative, mounting arm, Band & Housing: Steel / aluminium alloy.
Finish: Black (BK) as standard color' other colors such as (DB)(RAL7013), drak grey(GY)(RAL7016), light grey(LG)(RAL7042), drak green(DN)(RAL6005) are available.



Standard

Designed and manufactured in accordance with
- IEC/EN60598-1,
- IEC/EN60598-2-1.

Ordering Information (General LED Model)

Model No.:	Using Lamps	Color Temp. (Optional)	Dimensions(mm)
			L x W x H
PU-10W-LED	10W LED	2700~6500K	See diagram
PU-15W-LED	15W LED	2700~6500K	See diagram
PU-20W-LED	20W LED	2700~6500K	See diagram
PU-25W-LED	25W LED	2700~6500K	See diagram
PU-30W-LED	30W LED	2700~6500K	See diagram
PU-35W-LED	35W LED	2700~6500K	See diagram
PU-40W-LED	40W LED	2700~6500K	See diagram
PU-45W-LED	45W LED	2700~6500K	See diagram
PU-50W-LED	50W LED	2700~6500K	See diagram
PU-55W-LED	55W LED	2700~6500K	See diagram
PU-60W-LED	60W LED	2700~6500K	See diagram

REMARK; ALL DATA RATING MENTIONED ±10%

NOTE:

Luminous Efficacy: 80 lm/W
Power Factor: ≥90
CRI: ≥80
Life: Over 50,000hours
-the lumen output deliver over 50% of its initial lumen output operating 50,000 hours
-the lumen output deliver over 70% of its initial lumen output operating 35,000 hours

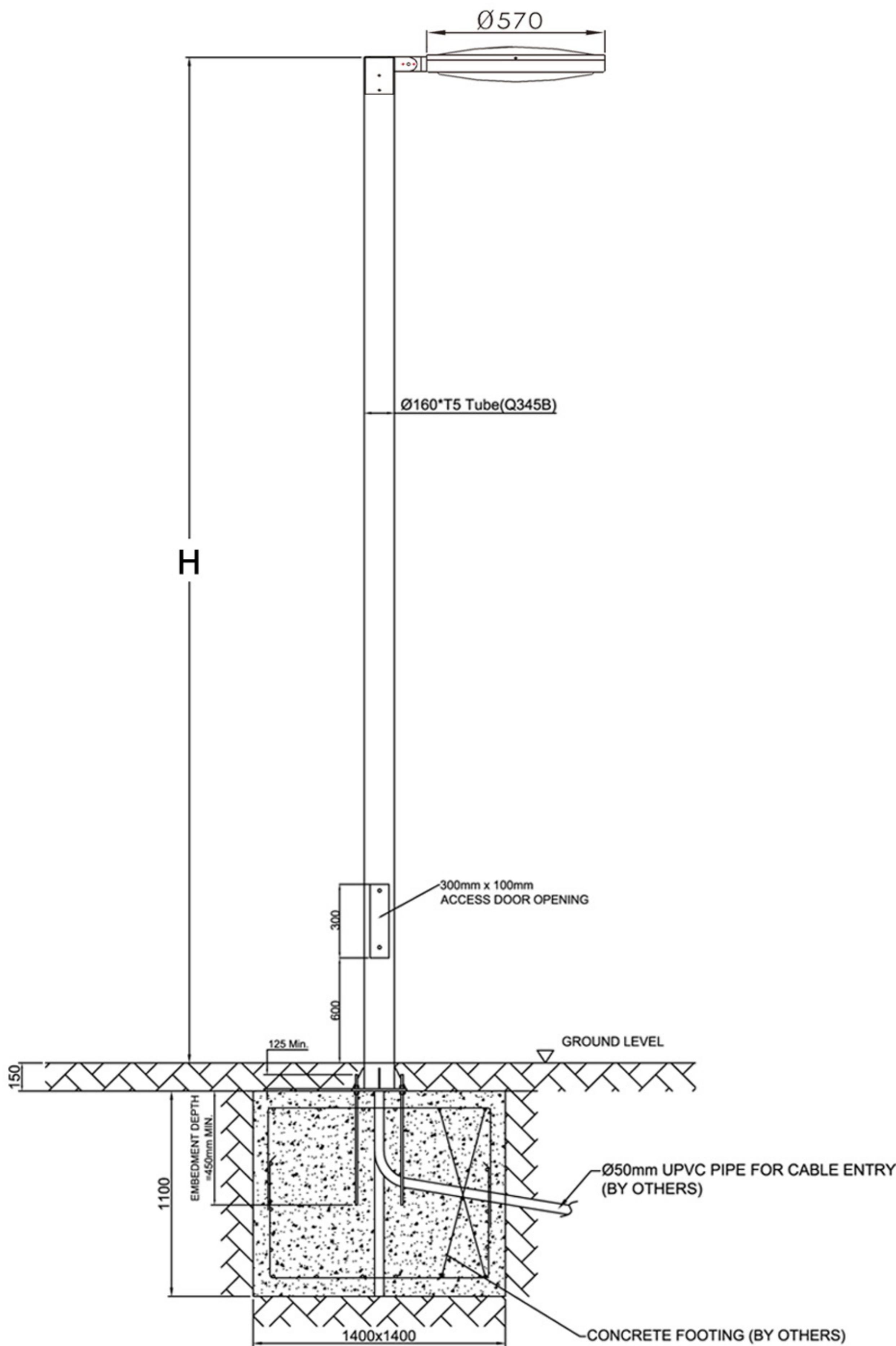
Remark: specifications change without prior notice.



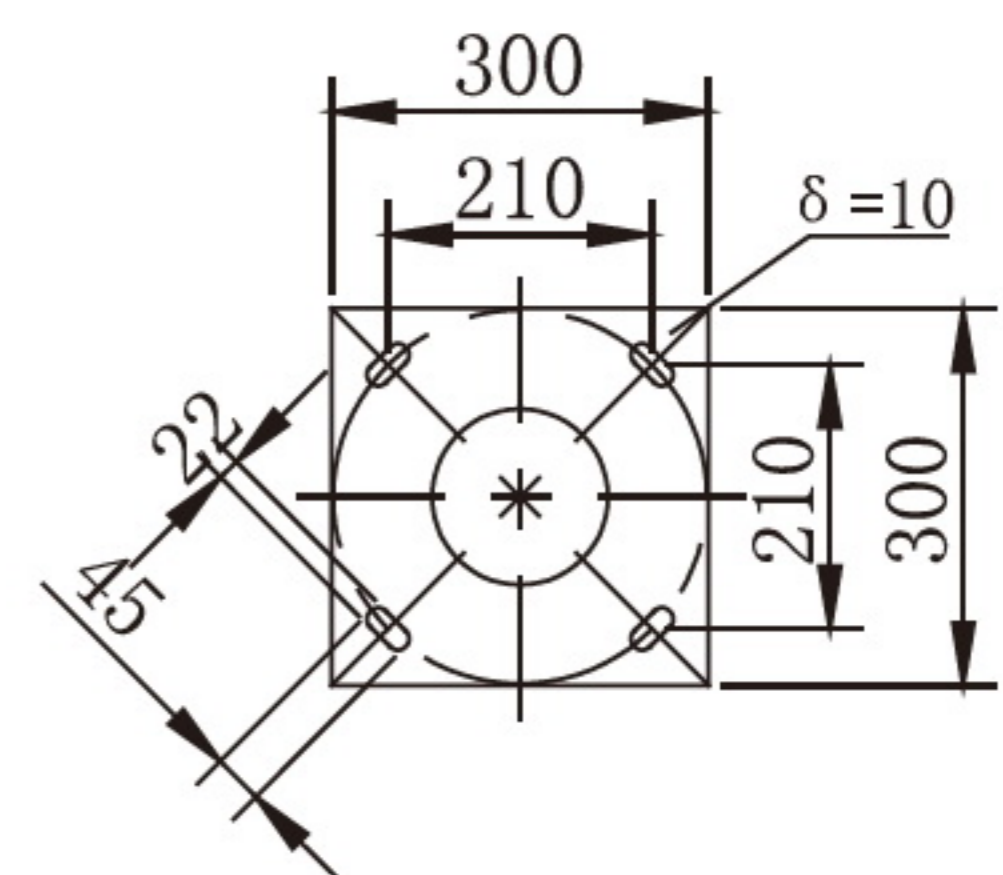


VERSION 2021

Typical Dimension & Installation(mm)



Typical Foundation(mm)



H = 3500 / 4000 / 4500 / 5000 (Optional)

Remark: specifications change without prior notice.



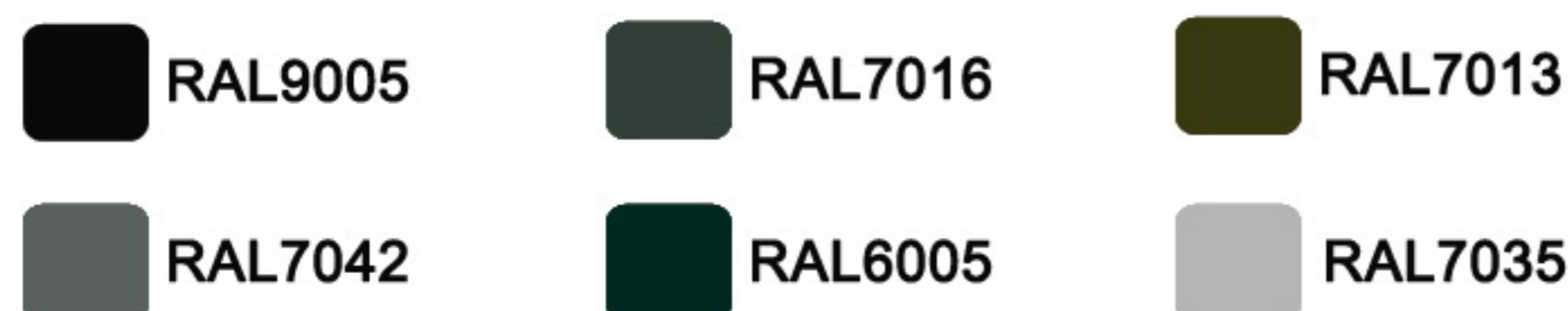
VERSION 2021

Description

The pole-top station luminaire can be specified as an arm mounted or top mounted. Lanterns are aluminium. Polycarbonate / Acrylic optical diffuser to the housing of lamp, avoiding dust; insects entering into lamp chamber and moisture contamination.

Construction

Body: Aluminium.
Decorative, mounting arm, Band & Housing: Steel / aluminium alloy.
Finish: Black (BK) as standard color' other colors such as (DB)(RAL7013), drak grey(GY)(RAL7016), light grey(LG)(RAL7042), drak green(DN)(RAL6005) are available.



Standard

Designed and manufactured in accordance with
 - IEC/EN60598-1,
 - IEC/EN60598-2-1.

Ordering Information (General LED Model)

Model No.:	Using Lamps	Color Temp. (Optional)	Dimensions(mm)
			L x W x H
PV-10W-LED	10W LED	2700~6500K	See diagram
PV-15W-LED	15W LED	2700~6500K	See diagram
PV-20W-LED	20W LED	2700~6500K	See diagram
PV-25W-LED	25W LED	2700~6500K	See diagram
PV-30W-LED	30W LED	2700~6500K	See diagram
PV-35W-LED	35W LED	2700~6500K	See diagram
PV-40W-LED	40W LED	2700~6500K	See diagram
PV-45W-LED	45W LED	2700~6500K	See diagram
PV-50W-LED	50W LED	2700~6500K	See diagram
PV-55W-LED	55W LED	2700~6500K	See diagram
PV-60W-LED	60W LED	2700~6500K	See diagram

REMARK; ALL DATA RATING MENTIONED ±10%

NOTE:

Luminous Efficacy: 80 lm/W
 Power Factor: ≥90
 CRI: ≥80
 Life: Over 50,000hours
 -the lumen output deliver over 50% of its initial lumen output operating 50,000 hours
 -the lumen output deliver over 70% of its initial lumen output operating 35,000 hours

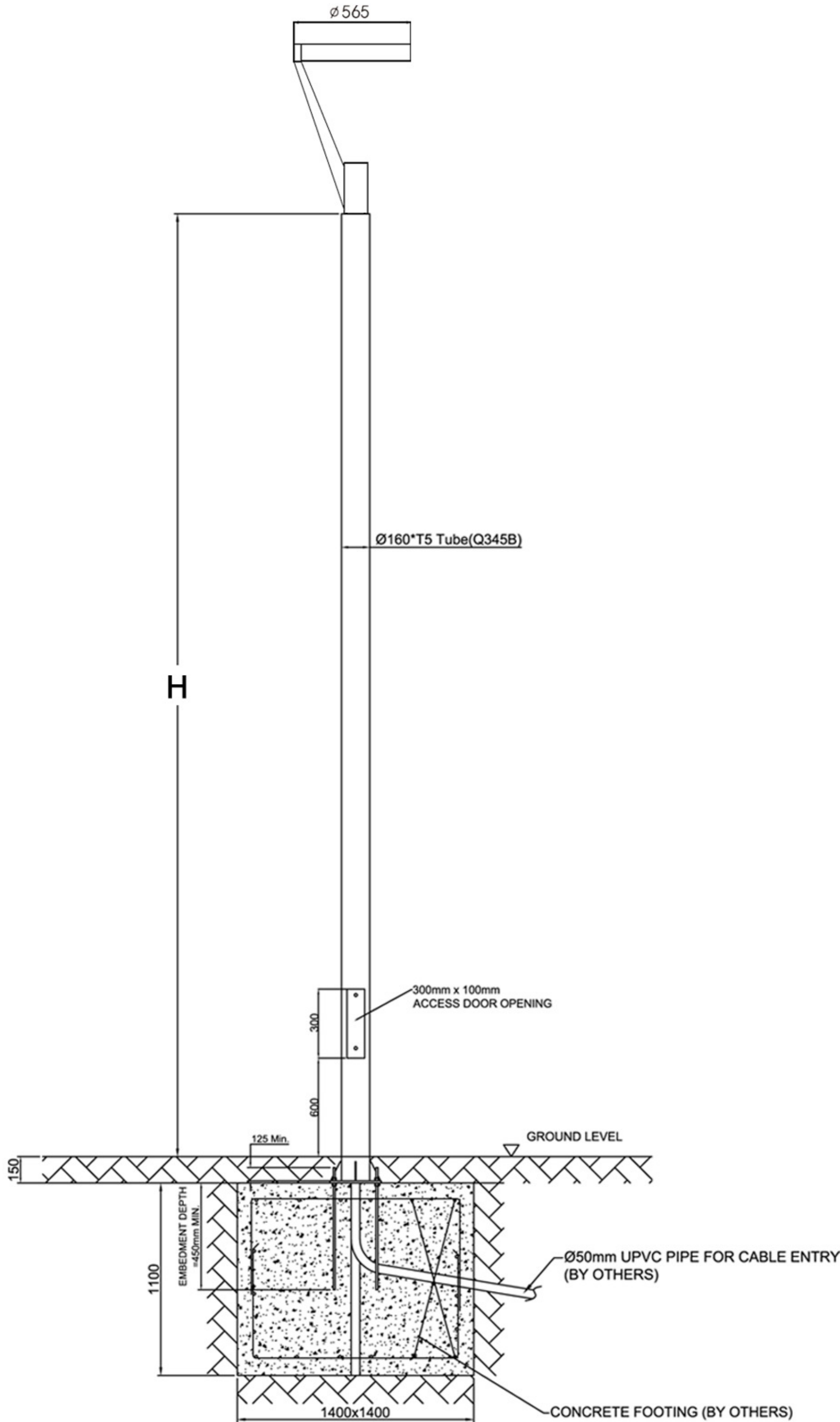
Remark: specifications change without prior notice.



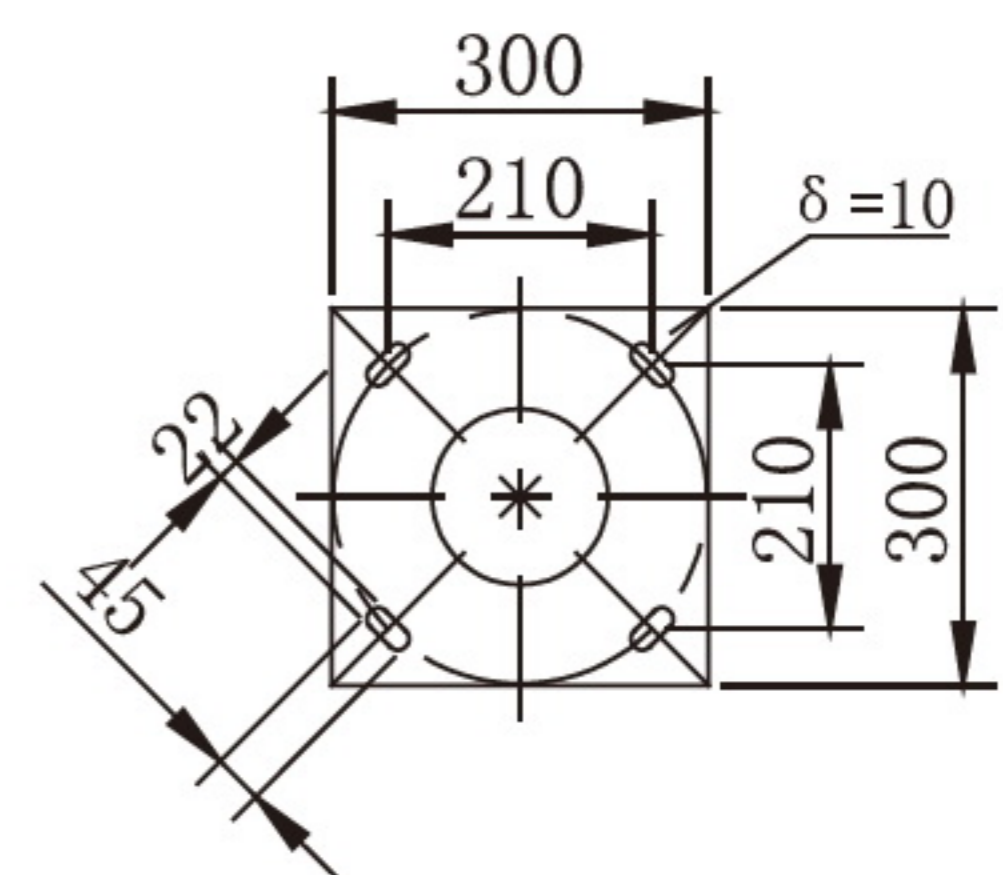


VERSION 2021

Typical Dimension & Installation(mm)



Typical Foundation(mm)



H = 3500 / 4000 / 4500 / 5000 (Optional)

Remark: specifications change without prior notice.



VERSION 2021

Description

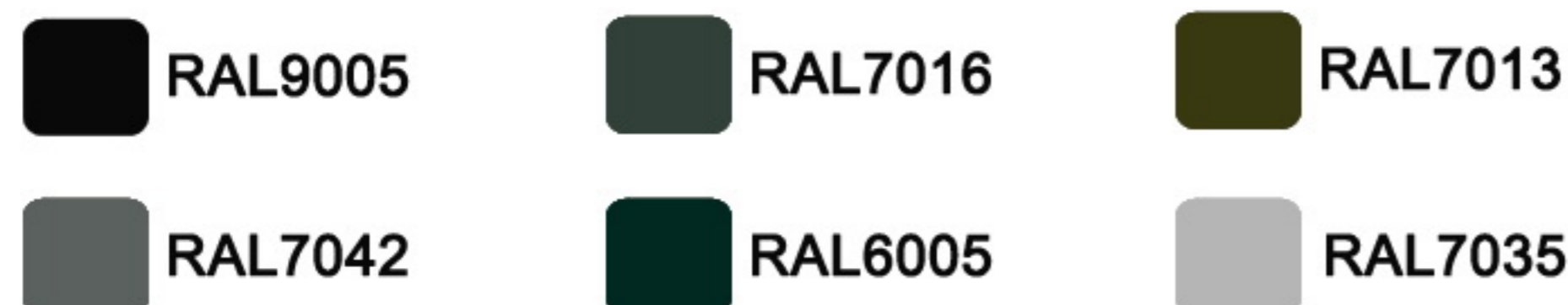
The pole-top station luminaire can be specified as an arm mounted or top mounted. Lanterns are aluminium. Polycarbonate / Acrylic optical diffuser to the housing of lamp, avoiding dust; insects entering into lamp chamber and moisture contamination.

Construction

Body: Aluminium.

Decorative, mounting arm, Band & Housing: Steel / aluminium alloy.

Finish: Black (BK) as standard color' other colors such as (DB)(RAL7013), drak grey(GY)(RAL7016), light grey(LG)(RAL7042), drak green(DN)(RAL6005) are available.



Standard

Designed and manufactured in accordance with
- IEC/EN60598-1,
- IEC/EN60598-2-1.

Ordering Information (General LED Model)

Model No.:	Using Lamps	Color Temp. (Optional)	Dimensions(mm)
			L x W x H
PW-10W-LED	10W LED	2700~6500K	See diagram
PW-15W-LED	15W LED	2700~6500K	See diagram
PW-20W-LED	20W LED	2700~6500K	See diagram
PW-25W-LED	25W LED	2700~6500K	See diagram
PW-30W-LED	30W LED	2700~6500K	See diagram
PW-35W-LED	35W LED	2700~6500K	See diagram
PW-40W-LED	40W LED	2700~6500K	See diagram
PW-45W-LED	45W LED	2700~6500K	See diagram
PW-50W-LED	50W LED	2700~6500K	See diagram
PW-55W-LED	55W LED	2700~6500K	See diagram
PW-60W-LED	60W LED	2700~6500K	See diagram

REMARK; ALL DATA RATING MENTIONED $\pm 10\%$

NOTE:

Luminous Efficacy: 80 lm/W

Power Factor: ≥ 90

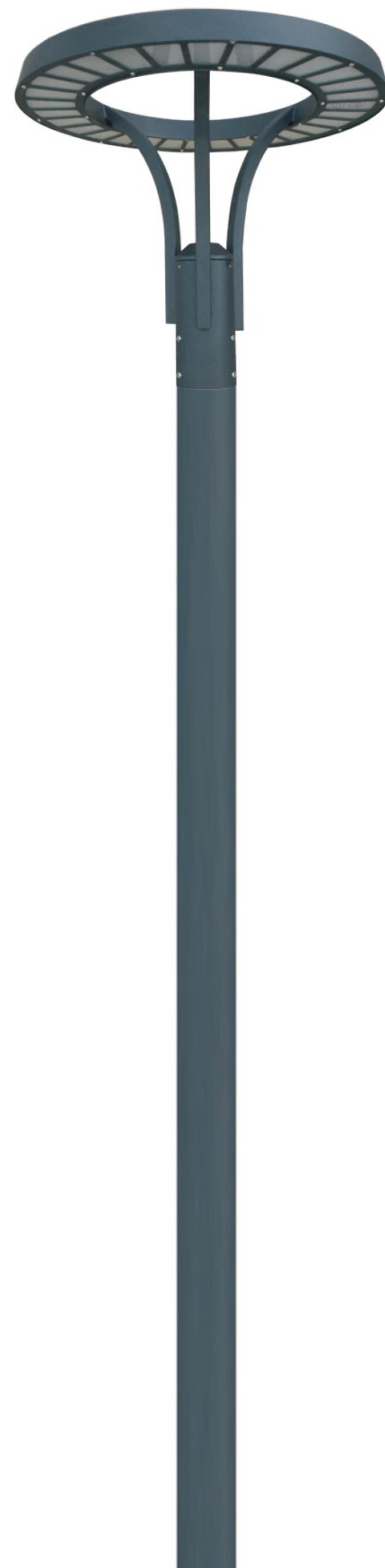
CRI: ≥ 80

Life: Over 50,000hours

-the lumen output deliver over 50% of its initial lumen output operating 50,000 hours

-the lumen output deliver over 70% of its initial lumen output operating 35,000 hours

Remark: specifications change without prior notice.

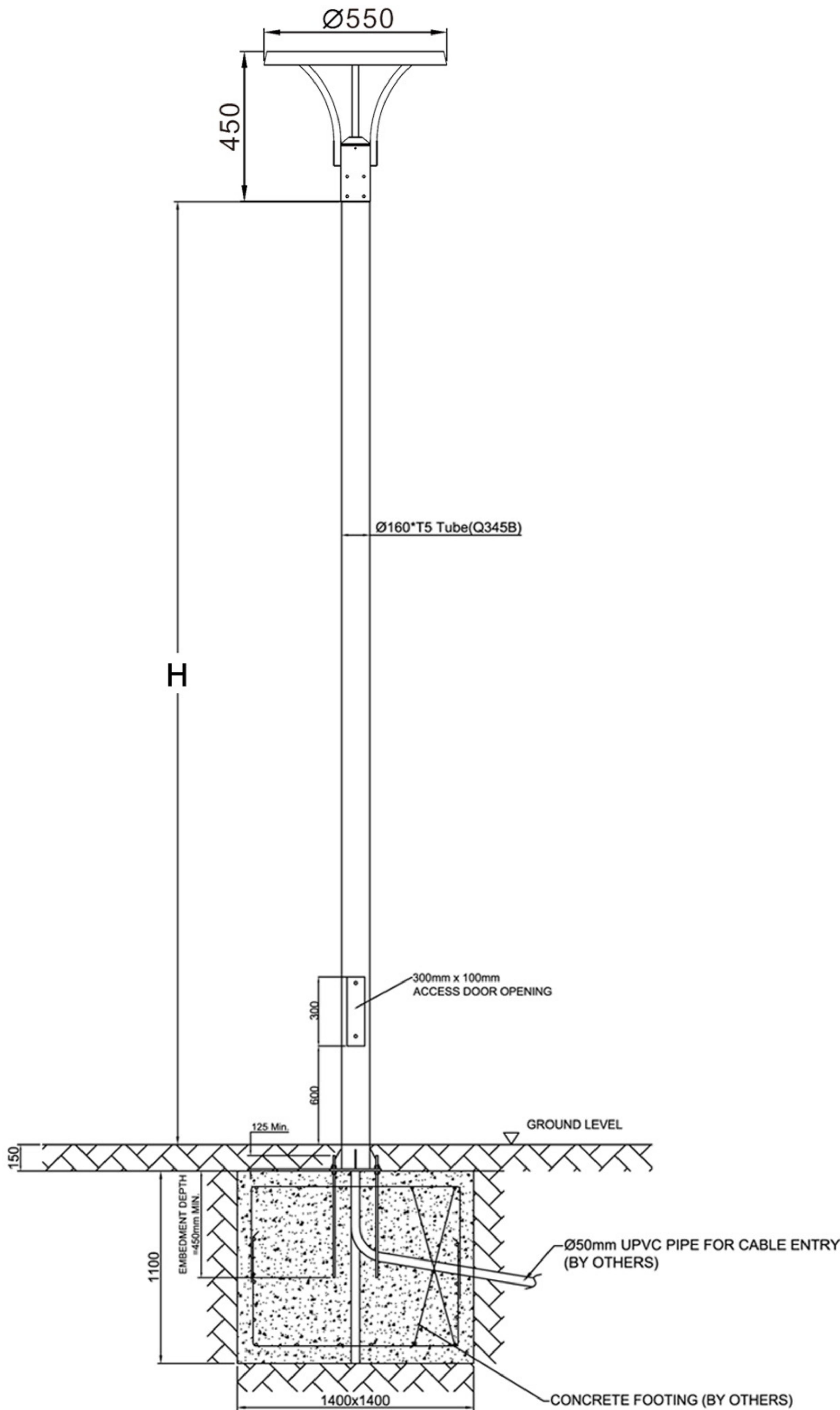


ARCHITECTURE OUTDOOR POLE TOP LUMINARIES

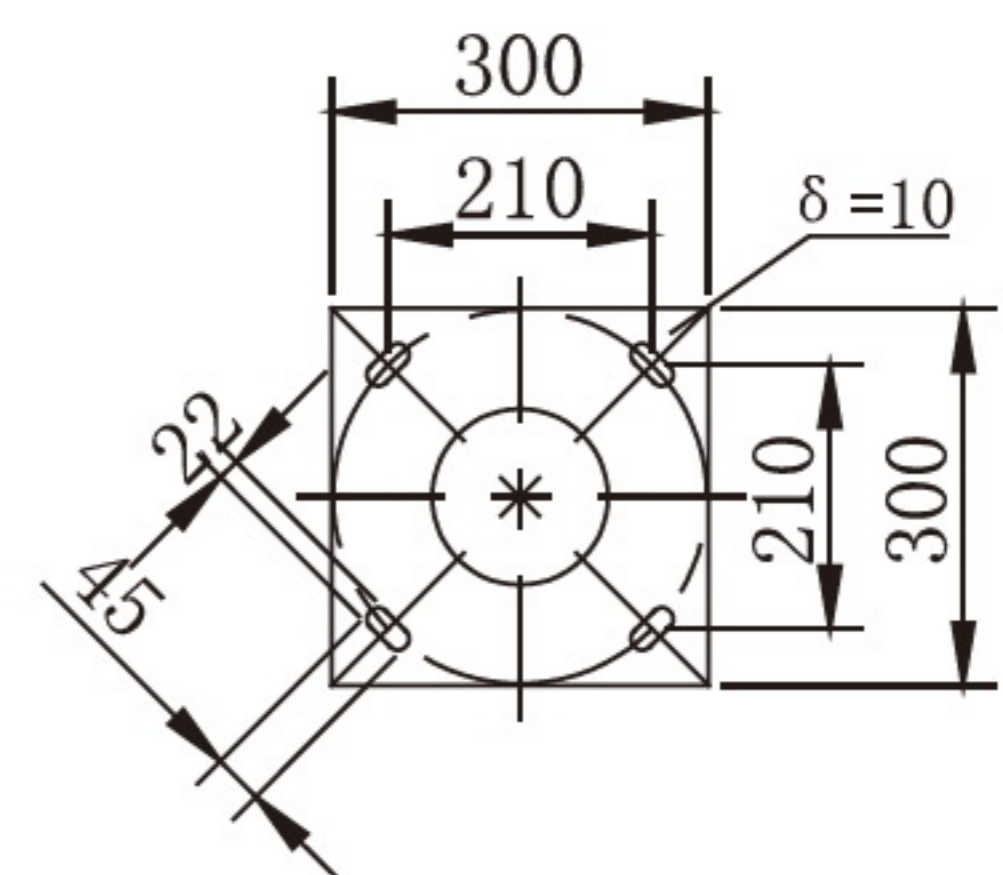


VERSION 2021

Typical Dimension & Installation(mm)



Typical Foundation(mm)



H = 3500 / 4000 / 4500 / 5000 (Optional)

Remark: specifications change without prior notice.